

PRODUCT SPECIFICATION DRAWING

P2RFD-1671-SS

FINISH:
 BODIES &
 HARDWARE:
 SHELLS:
 CONTACT & PIN:

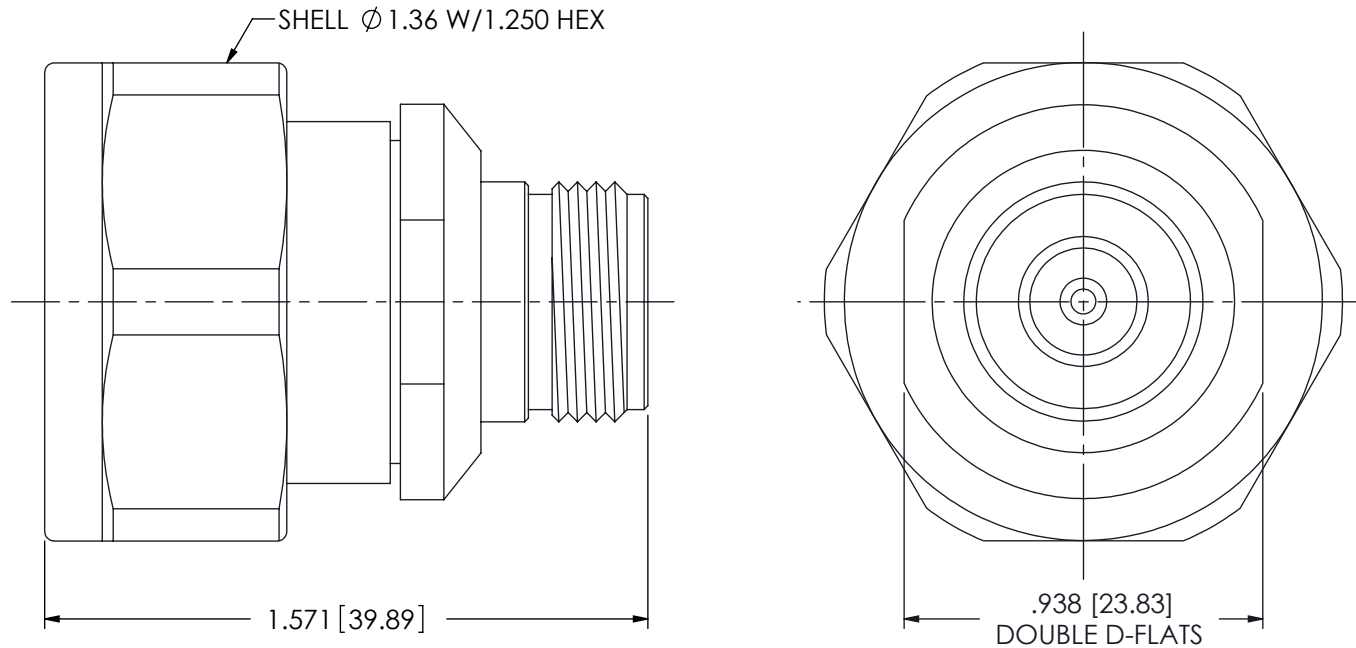
WHITE BRONZE
 PASSIVATED PER QQ-P-35C, TYPE II
 WHITE BRONZE OVER SILVER

PERFORMANCE:
 IMPEDANCE:
 Vp:
 FREQ. RANGE:
 DELAY:
 VSWR:
 INSERTION LOSS:
 3rd ORDER IM -dBc:
 TORQUE:
 OPERATING
 TEMP RANGE:

50 OHMS
 77%
 DC TO 7.5 GHz
 110ps
 <1.10:1 @ DC-7.5 GHz
 -.01db @ $\sqrt{7.5}$ GHz
 > -150 dBc
 15 ftLb
 -55°C TO +150°C

MATERIAL:
 BODIES,
 HARDWARE
 & PIN:
 CONTACT:
 SHELL:
 O-RING:
 INSULATOR:

BRASS
 BERYLLIUM COPPER
 STAINLESS STEEL PER AMS-5640, TYPE 303,
 COND.A
 SILICONE RUBBER, ZZ-R-765 DUROMETER 70
 PTFE PER ASTM-D1710



**RoHS
 COMPLIANT**

PROPRIETARY

THE INFORMATION HEREIN IS CONFIDENTIAL AND PROPRIETARY. NO DISCLOSURE, REPRODUCTION, OR FURTHER DISSEMINATION MAY BE MADE WITHOUT THE EXPRESSED WRITTEN CONSENT OF RF INDUSTRIES.

DIMENSIONS ARE IN INCHES
 TOLERANCES:

FRACTIONAL: ±1/64
 ANGULAR: X° ±1'0"
 X'X' ±15'
 DECIMAL: .X ±.030
 .XX ±.015
 .XXX ±.005

INTERPRET DIMENSIONS AND TOLERANCES PER ASME Y14.5M - 1994

UNLESS OTHERWISE SPECIFIED

- 1) ALL DIMENSIONS ARE AFTER PLATING & HEAT TREATING.
- 2) BREAK CORNERS & EDGES .005 RADIUS MAX.
- 3) CHAMFER FIRST & LAST THREADS.
- 4) SURFACE ROUGHNESS 63 Y1 A.W. MIL-STD-10.
- 5) DIAMETERS ON COMMON CENTERS TO BE CONCENTRIC WITHIN T.I.R.
- 6) REMOVE ALL BURRS

DRAWN BY: C. ZUNIGA 10/10/10
 ENG APPROVAL: D. McREYNOLDS
 MFG APPROVAL: --
 QA APPROVAL: --

RFP² RF PRECISION PRODUCTS
 A DIVISION OF RF INDUSTRIES

7610 MIRAMAR ROAD, SAN DIEGO, CA 92126-4202
 (858) 549-6340 - FAX (858) 549-6345 - RFP2@RFINDUSTRIES.COM

TITLE:
**7-16 DIN PLUG TO
 N JACK ADAPTER**

SIZE CODE DWG. NO.

A

P2RFD-1671-SS

SHEET 1 OF 1

REVISION HISTORY

REV	DESCRIPTION	DATE	APPROVED
-	ENGINEERING RELEASE	10/10/10	JDMc