

PRODUCT SPECIFICATION DRAWING

P2RFD-1671-4

FINISH:
 BODIES &
 HARDWARE:
 CONTACT & PIN:

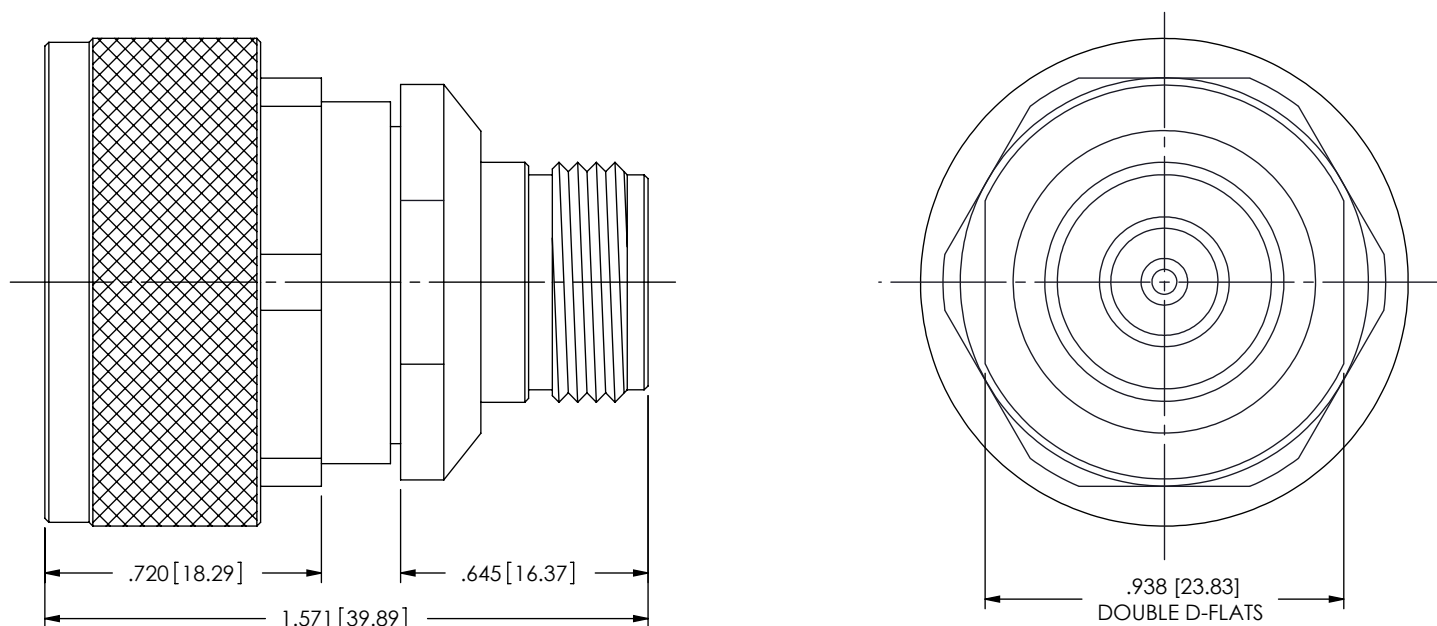
WHITE BRONZE
 WHITE BRONZE OVER SILVER

MATERIAL:
 BODIES,
 HARDWARE
 & PIN:
 CONTACT:
 O-RING:
 INSULATOR:

BRASS
 BERYLLIUM COPPER
 SILICONE RUBBER, ZZ-R-765 DUROMETER 70
 PTFE PER ASTM-D1710

PERFORMANCE:

IMPEDANCE: 50 OHMS
 Vp: 77%
 FREQ. RANGE: DC TO 7.5 GHz
 DELAY: 110ps
 VSWR: <1.10:1 @ DC-7.5 GHz
 INSERTION LOSS: -.01db @ $\sqrt{7.5}$ GHz
 3rd ORDER IM -dBc: > -150 dBc
 DIN TORQUE: 15 ftLb
 OPERATING
 TEMP RANGE: -55°C TO +150°C



**RoHS
 COMPLIANT**

PROPRIETARY

THE INFORMATION HEREIN IS CONFIDENTIAL AND PROPRIETARY. NO DISCLOSURE, REPRODUCTION, OR FURTHER DISSEMINATION MAY BE MADE WITH-OUT THE EXPRESSED WRITTEN CONSENT OF RF INDUSTRIES.

DIMENSIONS ARE IN INCHES
 TOLERANCES:

FRACTIONAL: ±1/64
 ANGULAR: X° ±1'0"
 X*X' ±15'

DECIMAL: .X ±.030
 .XX ±.015
 .XXX ±.005

INTERPRET DIMENSIONS AND TOLERANCES PER ASME Y14.5M - 1994

UNLESS OTHERWISE SPECIFIED

- 1) ALL DIMENSIONS ARE AFTER PLATING & HEAT TREATING.
- 2) BREAK CORNERS & EDGES .005 RADIUS MAX.
- 3) CHAMFER FIRST & LAST THREADS.
- 4) SURFACE ROUGHNESS 63 Y1 A.W. MIL-STD-10.
- 5) DIAMETERS ON COMMON CENTERS TO BE CONCENTRIC WITHIN T.I.R.
- 6) REMOVE ALL BURRS

DRAWN BY: C. ZUNIGA 10/10/10
 ENG APPROVAL: D. McREYNOLDS
 MFG APPROVAL: --
 QA APPROVAL: --

RFP² RF PRECISION PRODUCTS
 A DIVISION OF RF INDUSTRIES

7610 MIRAMAR ROAD, SAN DIEGO, CA 92126-4202
 (858) 549-6340 - FAX (858) 549-6345 - RFP2@RFINDUSTRIES.COM

TITLE: **7-16 DIN PLUG TO N JACK ADAPTER**

SIZE: **A** CODE: **000000** DWG. NO.: **P2RFD-1671-4**

SHEET 1 OF 1

REVISION HISTORY			
REV	DESCRIPTION	DATE	APPROVED
-	ENGINEERING RELEASE	10/10/10	JDMc