

PRODUCT SPECIFICATION DRAWING

P2RFD-1670-SS

FINISH:

BODIES &
HARDWARE:
SHELLS:
PINS:

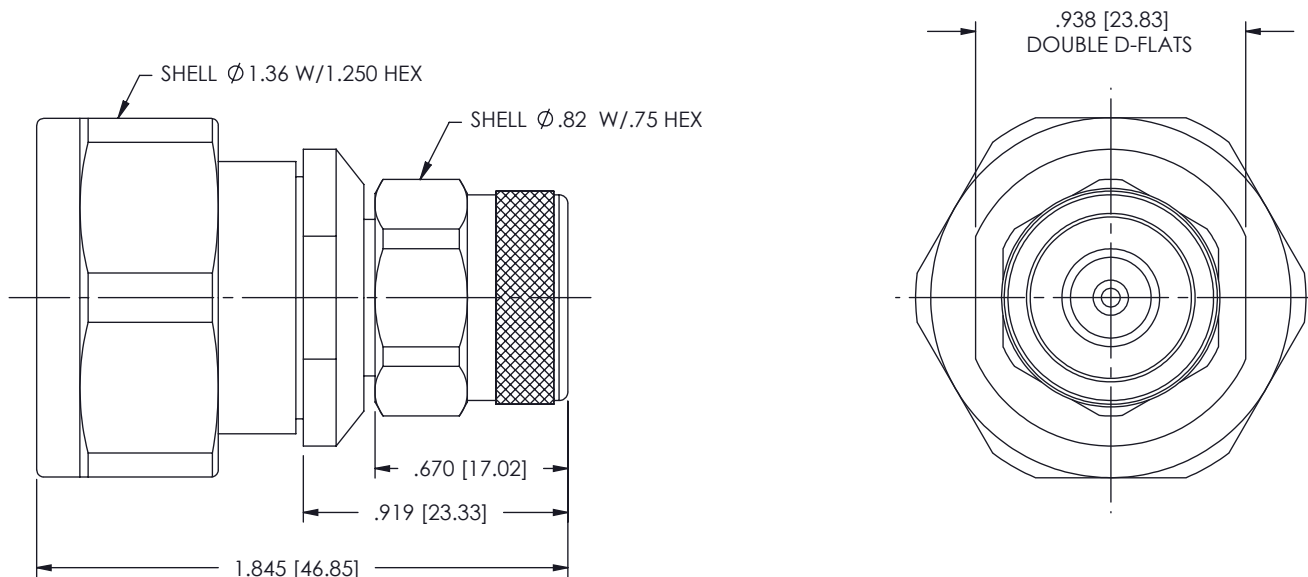
WHITE BRONZE
PASSIVATED PER QQ-P-35C, TYPE II
WHITE BRONZE OVER SILVER

MATERIAL:

BODIES,
HARDWARE
& PIN: BRASS
SHELLS: STAINLESS STEEL PER AMS-5640, TYPE 303,
COND.A
O-RING: SILICONE RUBBER, ZZ-R-765 DUROMETER 70
INSULATOR: PTFE PER ASTM-D1710

PERFORMANCE:

IMPEDANCE: 50 OHMS
Vp: 77%
FREQ. RANGE: DC TO 7.5 GHz
DELAY: 141ps
VSWR: <1.10:1 @ DC-7.5 GHz
INSERTION LOSS: -.01db @ $\sqrt{7.5}$ GHz
3rd ORDER IM -dBc: > -150 dBc
TORQUE: 10 inLb
OPERATING
TEMP RANGE: -55°C TO +150°C



<p style="text-align: center;">REVISION HISTORY</p> <table border="1"> <thead> <tr> <th>REV</th> <th>DESCRIPTION</th> <th>DATE</th> <th>APPROVED</th> </tr> </thead> <tbody> <tr> <td>--</td> <td>ENGINEERING RELEASE</td> <td>10/10/10</td> <td>JDMc</td> </tr> </tbody> </table>				REV	DESCRIPTION	DATE	APPROVED	--	ENGINEERING RELEASE	10/10/10	JDMc	<p>RoHS COMPLIANT</p> <p>PROPRIETARY</p> <p>THE INFORMATION HEREIN IS CONFIDENTIAL AND PROPRIETARY. NO DISCLOSURE, REPRODUCTION, OR FURTHER DISSEMINATION MAY BE MADE WITH-OUT THE EXPRESSED WRITTEN CONSENT OF RF INDUSTRIES.</p>		<p>DIMENSIONS ARE IN INCHES TOLERANCES:</p> <p>FRACTIONAL: ±1/64 ANGULAR: X° ±1° X*X' ±15'</p> <p>DECIMAL: .X ±.030 .XX ±.015 .XXX ±.005</p> <p>INTERPRET DIMENSIONS AND TOLERANCES PER ASME Y14.5M - 1994</p>		<p>UNLESS OTHERWISE SPECIFIED</p> <p>1) ALL DIMENSIONS ARE AFTER PLATING & HEAT TREATING. 2) BREAK CORNERS & EDGES .005 RADIUS MAX. 3) CHAMFER FIRST & LAST THREADS. 4) SURFACE ROUGHNESS 63 Y1/A.W. MIL-STD-10. 5) DIAMETERS ON COMMON CENTERS TO BE CONCENTRIC WITHIN T.I.R. 6) REMOVE ALL BURRS</p> <p>DRAWN BY: C. ZUNIGA 10/10/10</p> <p>ENG APPROVAL: D. McREYNOLDS</p> <p>MFG APPROVAL: --</p> <p>QA APPROVAL: --</p>		<p>RFP² RF PRECISION PRODUCTS A DIVISION OF RF INDUSTRIES</p> <p>7610 MIRAMAR ROAD, SAN DIEGO, CA 92126-4202 (858) 549-6340 - FAX (858) 549-6345 - RFP2@RFINDUSTRIES.COM</p> <p>TITLE: 7-16 DIN PLUG TO N PLUG ADAPTER</p> <p>SIZE: A CODE: 000000 DWG. NO.: P2RFD-1670-SS</p> <p>SHEET 1 OF 1</p>	
				REV	DESCRIPTION	DATE	APPROVED												
--	ENGINEERING RELEASE	10/10/10	JDMc																