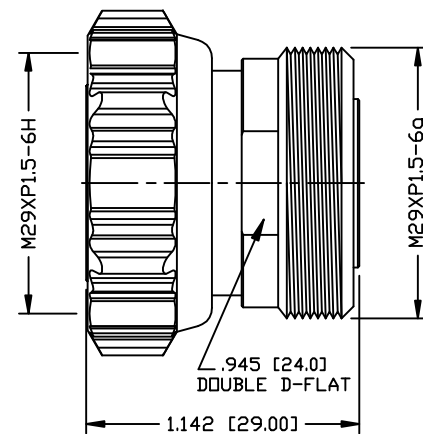
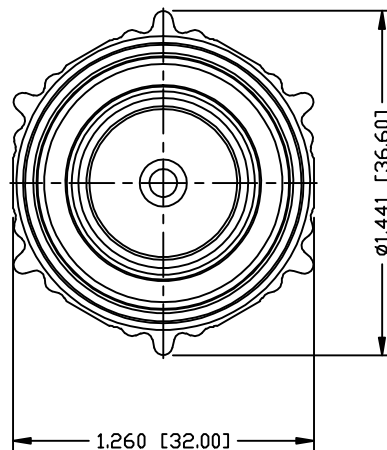


PART NO.

P2RFD-1660-TPS

| REV | DESCRIPTION | DWN | DATE | APPROVED |
|-----|---------------------|-----|----------|----------|
| - | ENGINEERING RELEASE | CZS | 05/09/16 | JDMc |

**SPECIFICATIONS:**

INTERFACE PER: IEC 61169-4
 IMPEDANCE: 50 OHMS
 FREQUENCY RANGE: DC-7.5 GHz
 PEAK POWER: 13.2 Kw max.
 AVERAGE POWER: 3.0 Kw max.
 VSWR MAX: <1.1:1 @ DC-7.5 GHz
 INSERTION LOSS: -.01 dB x $\sqrt{\text{FREQUENCY GHz}}$
 3rd ORDER IM: <-170 dBc @ 1900 MHz
 TEMPERATURE RANGE: -55°C TO 165°C
 RoHS COMPLIANT

| # | DESCRIPTION | QTY | MATERIAL | FINISH |
|---|-------------|-----|-----------|--------------|
| 5 | SHELL | 1 | BRASS | WHITE BRONZE |
| 4 | GASKET | 1 | SI RUBBER | ---- |
| 3 | PIN | 1 | BRASS | SILVER |
| 2 | INSULATOR | 1 | PTFE | ---- |
| 1 | BODY | 1 | BRASS | SILVER |

| # | DESCRIPTION | QTY | MATERIAL | FINISH |
|---|-------------|-----|----------|--------|
| # | DESCRIPTION | QTY | MATERIAL | FINISH |

CUSTOMER
OUTLINE DRAWINGALL DIMENSIONS
ARE REFERENCE ONLYUNLESS OTHERWISE SPECIFIED:
DIMENSIONS ARE IN INCHES
AND [MILLIMETERS]

| | | |
|-----------|-----------|----------|
| DRAWN | JDM | 1/20/17 |
| CHECKED | | |
| ORJ DRAWN | C. ZUNIGA | 05/09/16 |

PROPRIETARY AND CONFIDENTIAL
 THIS DRAWING CONTAINS
 INFORMATION PROPRIETARY TO
 RF INDUSTRIES. ANY
 UNAUTHORIZED USE OF THIS
 DRAWING IS EXPRESSLY
 PROHIBITED WITHOUT WRITTEN
 PERMISSION FROM RF
 INDUSTRIES. ANY VIOLATION IS
 PUNISHABLE UNDER U.S.
 COPYRIGHT LAWS.

RFconnectors
 DIVISION OF RF INDUSTRIES, LTD.

7610 MIRAMAR RD.
 SAN DIEGO, CA 92126
 (858) 549-6340
 (858) 549-6345 FAX

**7/16 DIN MALE TO FEMALE
 TEST PORT SAVER**

| SIZE | CABLE GROUP | DWG NO. | REV |
|--------|-----------------|-----------------------|-----|
| A | N/A | P2RFD-1660-TPS | — |
| SCALE: | ENGINEERING ID: | | |
| NTS | 001560 | | |

SHEET 1 OF 1