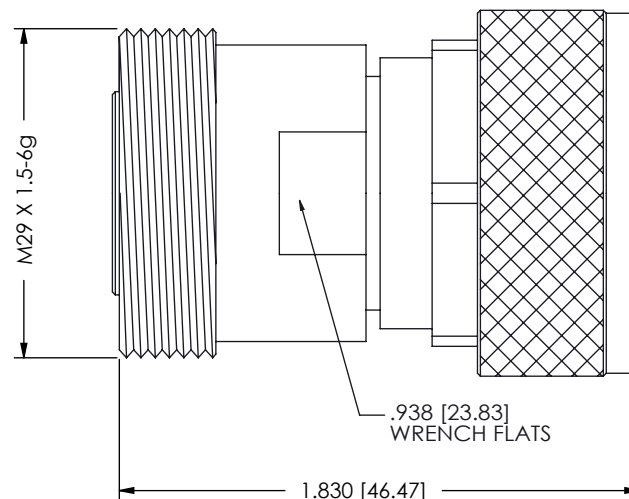


PRODUCT SPECIFICATION DRAWING

P2RFD-1660-4

FINISH:		MATERIAL:	
BODY & HARDWARE:	WHITE BRONZE	BODIES, HARDWARE & PIN:	BRASS
CONTACTS:	WHITE BRONZE OVER SILVER OVER COPPER	CONTACT:	BERYLLIUM COPPER
PERFORMANCE:		RETAINING RING & GROUND RING:	BERYLLIUM COPPER PER ASTM B196, ALLOY UNS C17300
IMPEDANCE:	50 OHMS	GASKET:	SILICONE RUBBER, ZZ-R-765 DUROMETER 70
VP:	77%	INSULATOR:	PTFE PER ASTM-D1710
FREQ. RANGE:	DC TO 8.0 GHZ		
DELAY:	132 ps OVER 8.0 GHZ SPAN		
VSWR:	<1.2:1 TO 8.0 GHZ		
INSERTION LOSS:	<-.1 dB TO 8.0 GHZ		
3rd ORDER IMP:	>-170dBc IN PCS BAND w/2 +43 dB TONES		
MECHANICAL (TYP)			
MATING:	M29 X 1.5mm THREAD		
INTERFACE:	CECC 22 190		
MATING CYCLES:	500 min		



**RoHS
COMPLIANT**

PROPRIETARY

THE INFORMATION HEREIN IS CONFIDENTIAL AND PROPRIETARY. NO DISCLOSURE, REPRODUCTION, OR FURTHER DISSEMINATION MAY BE MADE WITH-OUT THE EXPRESSED WRITTEN CONSENT OF RF INDUSTRIES.

DIMENSIONS ARE IN INCHES
TOLERANCES:

FRACTIONAL: ±1/64
ANGULAR: X° ±1'0"
 X°X' ±15"

DECIMAL: .X ±.030
 .XX ±.015
 .XXX ±.005

INTERPRET DIMENSIONS
AND TOLERANCES PER
ASME Y14.5M - 1994

UNLESS OTHERWISE SPECIFIED

- 1) ALL DIMENSIONS ARE AFTER PLATING & HEAT TREATING.
- 2) BREAK CORNERS & EDGES .005 RADIUS MAX.
- 3) CHAMFER FIRST & LAST THREADS.
- 4) SURFACE ROUGHNESS 63 Y1/A.W. MIL-STD-10.
- 5) DIAMETERS ON COMMON CENTERS TO BE CONCENTRIC WITHIN T.I.R.
- 6) REMOVE ALL BURRS

DRAWN BY: C. ZUNIGA 01/12/12

ENG APPROVAL: D. McREYNOLDS

MFG APPROVAL: --

QA APPROVAL: --

RFP² RF PRECISION PRODUCTS
A DIVISION OF RF INDUSTRIES
7610 MIRAMAR ROAD, SAN DIEGO, CA 92126-4202
(858) 549-6340 - FAX (858) 549-6345 - RFP2@RFINDUSTRIES.COM

TITLE: **DIN JACK TO DIN PLUG
BARREL ADAPTER**

SIZE CODE DWG. NO.

A **P2RFD-1660-4**
SHEET 1 OF 1

REVISION HISTORY

REV	DESCRIPTION	DATE	APPROVED
-	ENGINEERING RELEASE	01/12/12	JDMc