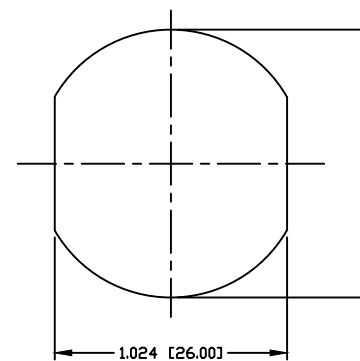
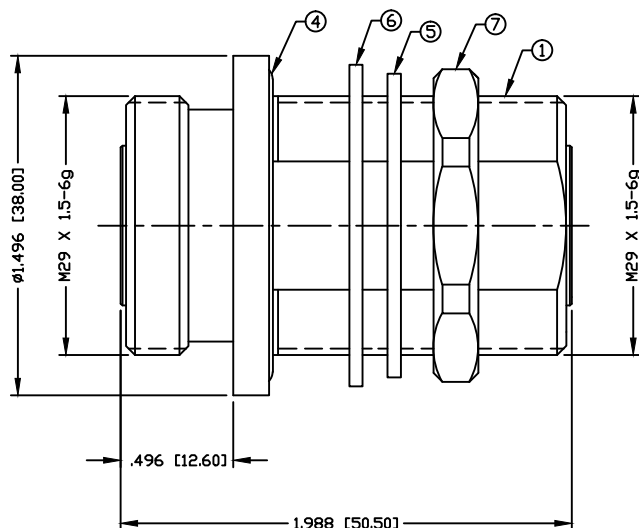


PART NO.

P2RFD-1654-4

REV	DESCRIPTION	DWN	DATE	APPROVED
-	ENGINEERING RELEASE	CZS	06/12/14	JDMc
A	UPDATED DWG. THROUGHOUT	CZS	08/20/14	JDMc



RECOMMENDED PANEL CUTOUT

SPECIFICATIONS:

IMPEDANCE: 50 Ohms
 FREQUENCY RANGE: 0-7.5 GHz
 PEAK POWER: 13.2 Kw max.
 AVERAGE POWER: 3.0 Kw max.
 TEMPERATURE RANGE: -55°C TO 150°C

#	DESCRIPTION	QTY	MATERIAL	FINISH
8	GROUND RING	2	BeCu	WHITE BRONZE
7	HEX NUT	1	BRASS	WHITE BRONZE
6	LOCK WASHER	1	BRASS	WHITE BRONZE
5	WASHER	1	BRASS	WHITE BRONZE
4	O-RING	1	RUBBER	----
3	CONTACT	1	PHOS. BRONZE	SILVER
2	INSULATOR	1	PTFE	----
1	BODY	1	BRASS	WHITE BRONZE

CUSTOMER
OUTLINE DRAWINGALL DIMENSIONS
ARE REFERENCE ONLYUNLESS OTHERWISE SPECIFIED:
DIMENSIONS ARE IN INCHES
AND [MILLIMETERS]

DRAWN	C. ZUNIGA	08/20/14
CHECKED		
ORJ DRAWN	C. ZUNIGA	06/12/14

**RoHS
COMPLIANT**

PROPRIETARY AND CONFIDENTIAL
 THIS DRAWING CONTAINS
 INFORMATION PROPRIETARY TO
 RF INDUSTRIES. ANY
 UNAUTHORIZED USE OF THIS
 DRAWING IS EXPRESSLY
 PROHIBITED WITHOUT WRITTEN
 PERMISSION FROM RF
 INDUSTRIES. ANY VIOLATION IS
 PUNISHABLE UNDER U.S.
 COPYRIGHT LAWS.

RFconnectors

7610 MIRAMAR RD.
 SAN DIEGO, CA 92126
 (858) 549-6340
 DIVISION OF RF INDUSTRIES, LTD. (858) 549-6345 FAX

**7/16 DIN JACK TO
 7/16 DIN JACK BULKHEAD**

SIZE	CABLE GROUP	DWG NO.	REV
A	N/A	P2RFD-1654-4	A
SCALE:	ENGINEERING ID:	SHEET 1 OF 1	
NTS	000000		