

PRODUCT SPECIFICATION DRAWING

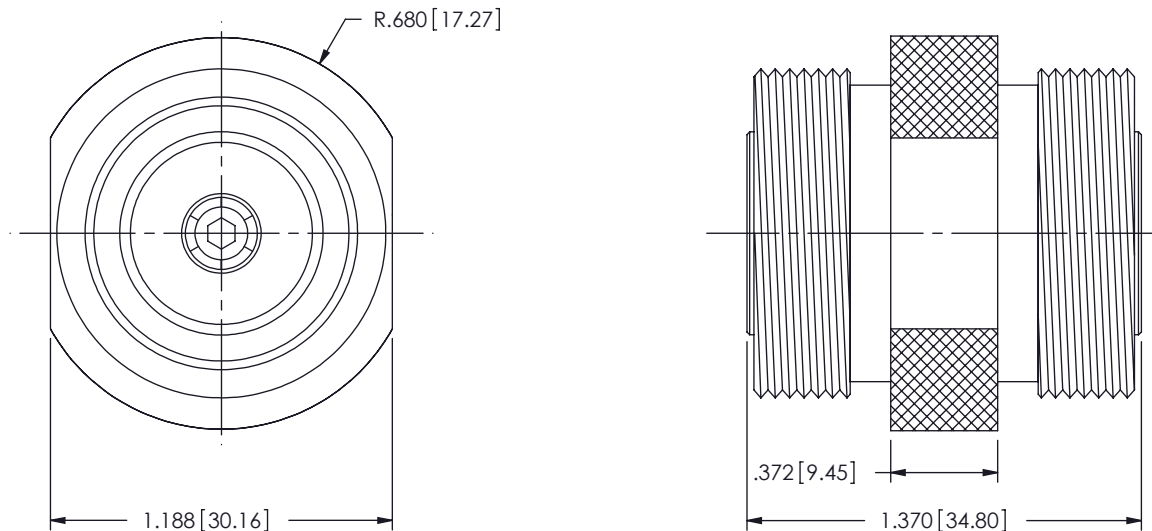
P2RFD-1653-4

FINISH:
BODY & HARDWARE: WHITE BRONZE
CONTACTS: WHITE BRONZE OVER SILVER OVER COPPER

MATERIAL:
BODY & HARDWARE: BRASS
CONTACT: BERYLLIUM COPPER
INSULATOR: PTFE PER ASTM-D1710

PERFORMANCE:
IMPEDANCE: 50 OHMS
VP: 77%
FREQ. RANGE: DC TO 8.0 GHz
DELAY: 132 ps OVER 8.0 GHz SPAN
VSWR: <1.2:1 TO 8.0 GHz
INSERTION LOSS: <-.1 dB TO 8.0 GHz
3rd ORDER IMP: >-170dBc IN PCS BAND w/2 +43 dB TONES

MECHANICAL (TYP)
MATING: M29 X 1.5mm THREAD
INTERFACE: CECC 22 190
MATING CYCLES: 500 min



**RoHS
 COMPLIANT**

PROPRIETARY

THE INFORMATION HEREIN IS CONFIDENTIAL AND PROPRIETARY. NO DISCLOSURE, REPRODUCTION, OR FURTHER DISSEMINATION MAY BE MADE WITH-OUT THE EXPRESSED WRITTEN CONSENT OF RF INDUSTRIES.

DIMENSIONS ARE IN INCHES
 TOLERANCES:

FRACTIONAL: ±1/64
 ANGULAR: X° ±1'0"
 X*X' ±15'
 DECIMAL: .X ±.030
 .XX ±.015
 .XXX ±.005

INTERPRET DIMENSIONS AND TOLERANCES PER ASME Y14.5M - 1994

UNLESS OTHERWISE SPECIFIED

- 1) ALL DIMENSIONS ARE AFTER PLATING & HEAT TREATING.
- 2) BREAK CORNERS & EDGES .005 RADIUS MAX.
- 3) CHAMFER FIRST & LAST THREADS.
- 4) SURFACE ROUGHNESS 63 V.I.A.W. MIL-STD-10.
- 5) DIAMETERS ON COMMON CENTERS TO BE CONCENTRIC WITHIN T.I.R.
- 6) REMOVE ALL BURRS

DRAWN BY: C. ZUNIGA 01/27/11

ENG APPROVAL: D. McREYNOLDS

MFG APPROVAL: --

QA APPROVAL: --

RFP² RF PRECISION PRODUCTS
 A DIVISION OF RF INDUSTRIES

7610 MIRAMAR ROAD, SAN DIEGO, CA 92126-4202
 (858) 549-6340 - FAX (858) 549-6345 - RFP2@RFINDUSTRIES.COM

TITLE:
**7-16 DIN JACK TO JACK
 BARREL ADAPTER**

SIZE CODE DWG. NO.

A 000000

SHEET 1 OF 1

P2RFD-1653-4

REVISION HISTORY

REV	DESCRIPTION	DATE	APPROVED
-	ENGINEERING RELEASE	01/27/11	JDMc