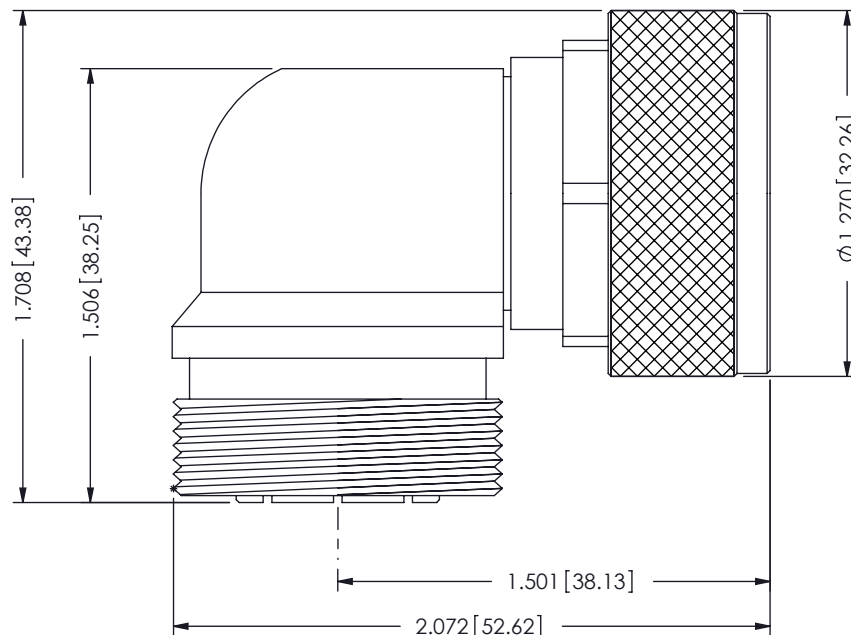


PRODUCT SPECIFICATION DRAWING

P2RFD-1652-4

FINISH:	BODIE, SHELL & HARDWARE: WHITE BRONZE	MATERIAL:	BODIES, SHELL & HARDWARE: BRASS
PIN & CONTACTS:	WHITE BRONZE OVER SILVER OVER COPPER	PIN:	BRASS
PERFORMANCE:		CONTACT & GROUND RING:	BERYLLIUM COPPER
IMPEDANCE:	50 OHMS	GASKET:	SILICONE RUBBER, ZZ-R-765 DUROMETER 70
VP:	77%	INSULATOR:	PTFE PER ASTM-D1710
FREQ. RANGE:	DC TO 5.5 GHz		
DELAY:	200 ps OVER 7.0 GHz SPAN		
VSWR:	<1.1:1 TO 7 GHz		
INSERTION LOSS:	<-.1 dB TO 7.0 GHz		
3rd ORDER IMP:	>-170dBc IN PCS BAND w/2+43 dB TONES		
MECHANICAL (TYP)			
MATING:	M29 X 1.5mm THREAD		
INTERFACE:	CECC 22 190		
MATING CYCLES:	500 min		



REVISION HISTORY				 PROPRIETARY <small>THE INFORMATION HEREIN IS CONFIDENTIAL AND PROPRIETARY. NO DISCLOSURE, REPRODUCTION, OR FURTHER DISSEMINATION MAY BE MADE WITH-OUT THE EXPRESSED WRITTEN CONSENT OF RF INDUSTRIES.</small>	DIMENSIONS ARE IN INCHES TOLERANCES: FRACTIONAL: ±1/64 ANGULAR: X° ±1'0" X*X' ±15' DECIMAL: .X ±.030 .XX ±.015 .XXX ±.005 INTERPRET DIMENSIONS AND TOLERANCES PER ASME Y14.5M - 1994	UNLESS OTHERWISE SPECIFIED 1) ALL DIMENSIONS ARE AFTER PLATING & HEAT TREATING. 2) BREAK CORNERS & EDGES .005 RADIUS MAX. 3) CHAMFER FIRST & LAST THREADS. 4) SURFACE ROUGHNESS 63 V/A.W. MIL-STD-10. 5) DIAMETERS ON COMMON CENTERS TO BE CONCENTRIC WITHIN T.I.R. 6) REMOVE ALL BURRS	 <small>A DIVISION OF RF INDUSTRIES</small> 7610 MIRAMAR ROAD, SAN DIEGO, CA 92126-4202 (858) 549-6340 - FAX (858) 549-6345 - RFP2@RFINDUSTRIES.COM
REV	DESCRIPTION	DATE	APPROVED		DRAWN BY: C. ZUNIGA 01/27/11 ENG APPROVAL: D. McREYNOLDS MFG APPROVAL: -- QA APPROVAL: --	TITLE: 7-16 DIN JACK TO PLUG RIGHT ANGLE ADAPTER	
-	ENGINEERING RELEASE	01/27/11	JDMc		SIZE: A CODE: 000000	DWG. NO. P2RFD-1652-4	
					SHEET 1 OF 1		