

PRODUCT SPECIFICATION DRAWING

P2RFD-1650-SS

FINISH:
BODIES &
HARDWARE:
SHELL:
PINS:

WHITE BRONZE
PASSIVATED PER QQ-P-35C, TYPE II
WHITE BRONZE OVER SILVER

MATERIAL:
BODIES &
HARDWARE:
PINS:
SHELL:

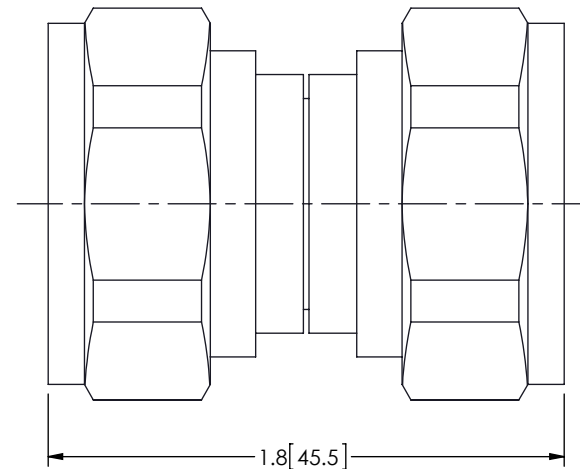
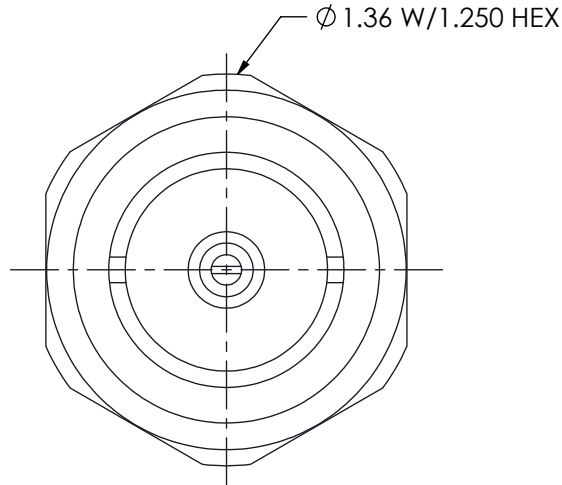
BRASS
BRASS
STAINLESS STEEL PER AMS-5640, TYPE 303,
COND.A

PERFORMANCE:
IMPEDANCE:
FREQ. RANGE:
DIELECTRIC VOLTAGE:
INSULATION RESISTANCE:
OPERATING
TEMP RANGE:

50 OHMS
DC TO 7.5 GHz
4000VRMS
10K MOHMS
-55°C TO +150°C

RETAINING
RING:
GASKET:
INSULATOR:

BERYLLIUM COPPER PER ASTM B196,
ALLOY UNS C17300
SILICONE RUBBER, ZZ-R-765 DUROMETER 70
PTFE PER ASTM-D1710



**RoHS
COMPLIANT**

PROPRIETARY

THE INFORMATION HEREIN IS CONFIDENTIAL AND PROPRIETARY. NO DISCLOSURE, REPRODUCTION, OR FURTHER DISSEMINATION MAY BE MADE WITH-OUT THE EXPRESSED WRITTEN CONSENT OF RF INDUSTRIES.

DIMENSIONS ARE IN INCHES
TOLERANCES:

FRACTIONAL: ±1/64
ANGULAR: X° ±1'0"
X*X' ±15'
DECIMAL: .X ±.030
.XX ±.015
.XXX ±.005

INTERPRET DIMENSIONS
AND TOLERANCES PER
ASME Y14.5M - 1994

UNLESS OTHERWISE SPECIFIED

- 1) ALL DIMENSIONS ARE AFTER PLATING & HEAT TREATING.
- 2) BREAK CORNERS & EDGES .005 RADIUS MAX.
- 3) CHAMFER FIRST & LAST THREADS.
- 4) SURFACE ROUGHNESS 63 V.I.A.W. MIL-STD-10.
- 5) DIAMETERS ON COMMON CENTERS TO BE CONCENTRIC WITHIN T.I.R.
- 6) REMOVE ALL BURRS

DRAWN BY: C. ZUNIGA 06/22/12

ENG APPROVAL: D. McREYNOLDS

MFG APPROVAL: --

QA APPROVAL: --

RFP² RF PRECISION PRODUCTS
A DIVISION OF RF INDUSTRIES

7610 MIRAMAR ROAD, SAN DIEGO, CA 92126-4202
(858) 549-6340 - FAX (858) 549-6345 - RFP2@RFINDUSTRIES.COM

TITLE:
**7-16 DIN PLUG TO
7-16 DIN PLUG ADAPTER**

SIZE CODE DWG. NO.
A 000000

SHEET 1 OF 1

P2RFD-1650-SS

REVISION HISTORY

REV	DESCRIPTION	DATE	APPROVED
-	ENGINEERING RELEASE	06/22/12	JDMc