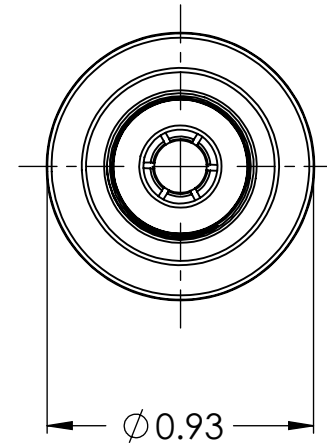
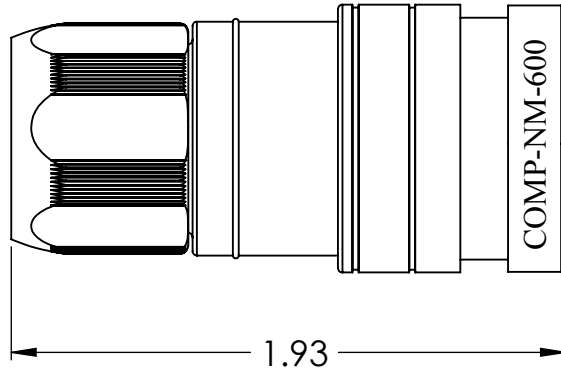


| REV | DESCRIPTION | DATE | APPR |
|-----|---------------------|----------|------|
| - | ENGINEERING RELEASE | 2/3/2016 | JDM |



SPECIFICATIONS:

IMPEDANCE: 50 Ohms
 FREQUENCY RANGE: 0-7.0 GHz
 TEMPERATURE RANGE: -55°C TO 85°C
 WATERPROOF DESIGN: IP68 RATED

| | | | |
|---|---------------|---------------------------------------|------------|
| 9 | 11681-01 | COMPRESSION RING, 50 OHM, N MALE, 600 | 1 |
| 8 | 11680-01 | CLAMP, 50 OHM, N MALE, 600 | 1 |
| 7 | 11556-01 | NUT, 50 OHM, N MALE | 1 |
| 6 | 11563-01 | GASKET, 50 OHM, N MALE, 400 | 1 |
| 5 | 11562-01 | NUT RETAINER, 50 OHM, N MALE, 400 | 1 |
| 4 | 11682-01 | POST, 50 OHM, N MALE, 600 | 1 |
| 3 | 11678-01 | INSULATOR, 50 OHM, N MALE, 600 | 1 |
| 2 | 11683-01 | CONTACT, 50 OHM, N MALE, 600 | 1 |
| 1 | 11679-01 | BODY, 50 OHM, N MALE, 600 | 1 |
| # | PART # | DESCRIPTION | QTY |

UNLESS OTHERWISE SPECIFIED

ALL DIMENSIONS ARE FOR REFERENCE ONLY. ALL DIMENSIONS ARE IN INCHES. INTERPRET DIMENSIONS PER ASME Y14.5M-1994.

RoHS
COMPLIANT

| | | |
|-----------|--------------|----------|
| | NAME | DATE |
| DRAWN | C. ZUÑIGA | 02/02/16 |
| APPROVED | | |
| CBL GROUP | N/A | |
| CODE: | 000000 | |
| MATERIAL: | BRASS | |
| FINISH: | WHITE BRONZE | |

RF INDUSTRIES
 7610 MIRAMAR RD. SAN DIEGO, CA. 92126
 858-549-6340 FAX 858-549-6345

THESE DRAWINGS AND SPECIFICATIONS ARE THE PROPERTY OF RF INDUSTRIES LTD AND SHALL NOT BE REPRODUCED, COPIED OR USED AS A BASIS FOR MANUFACTURE OR SALE OF EQUIPMENT OR DEVICES WITHOUT WRITTEN PERMISSION.

TITLE: **N MALE FOR 600**

| | | | |
|-------|-------------|--------|-----|
| SCALE | DWG. NO. | SHEET | REV |
| NTS | COMP-NM-600 | 1 OF 1 | - |