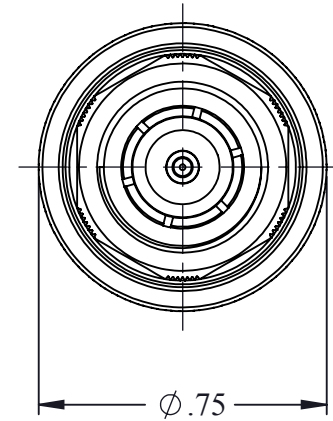
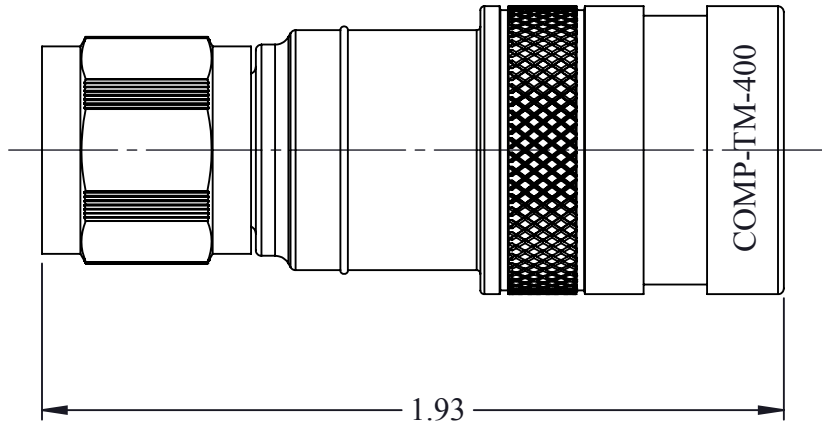


REV	DESCRIPTION	DATE	APPR
L1	CHANGED DWG FORMAT	10/15/15	JDMc



SPECIFICATIONS:

IMPEDANCE: 50 Ohms
 FREQUENCY RANGE: 0-7.0 GHz
 TEMPERATURE RANGE: -55°C TO 85°C
 WATERPROOF DESIGN: IP68 RATED

#	PART #	DESCRIPTION	QTY	UNLESS OTHERWISE SPECIFIED	NAME	DATE	RF INDUSTRIES 7610 MIRAMAR RD. SAN DIEGO, CA. 92126 858-549-6340 FAX 858-549-6345	
11	12381-01	NUT RETAINER, 50 OHM, TNC	1	ALL DIMENSIONS ARE FOR REFERENCE ONLY. ALL DIMENSIONS ARE IN INCHES. INTERPRET DIMENSIONS PER ASME Y14.5M-1994.	DRAWN	C. ZUÑIGA	10/15/15	THESE DRAWINGS AND SPECIFICATIONS ARE THE PROPERTY OF RF INDUSTRIES LTD AND SHALL NOT BE REPRODUCED, COPIED OR USED AS A BASIS FOR MANUFACTURE OR SALE OF EQUIPMENT OR DEVICES WITHOUT WRITTEN PERMISSION.
10	12019-01	GASKET, 50 OHM, TNC MALE	1		APPROVED			
9	12016-01	CONTACT SLEEVE, 50 OHM, TNC MALE, 400	1		CBL GROUP	N/A		
8	11942-02	NUT, 50 OHM, TNC	1		CODE:	001787		
7	11831-01	INSTALLATION GUIDE, 50 OHM, BRAIDED	.005		MATERIAL:	BRASS		TITLE: TNC MALE FOR 400 CBL
6	11622-01	GUIDE INSULATOR, 50 OHM, TNC MALE, 400	1		FINISH:	WHITE BRONZE		SCALE NTS
5	11621-01	INSULATOR, 50 OHM, TNC MALE, 400	1					DWG. NO. COMP-TM-400
4	11620-01	CONTACT, 50 OHM, TNC MALE, 400	1					SHEET 1 OF 1
3	11561-01	COMPRESSION RING, 50 OHM, N MALE, 400	1					REV L1
2	11559-01	POST, 50OHM, N MALE, 400	1					
1	11558-01	CLAMP, 50 OHM, N MALE, 400	1					

RoHS
COMPLIANT