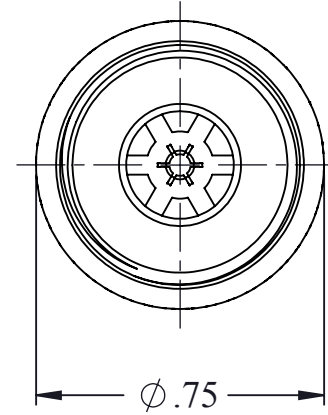
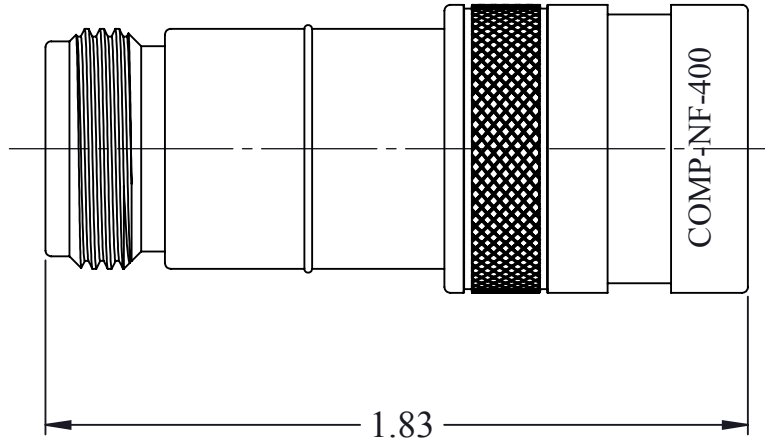


REV	DESCRIPTION	DATE	APPR
E1	UPDATED DWG FOMAT	10/10/15	JDMc



SPECIFICATIONS:

IMPEDANCE: 50 Ohms
 FREQUENCY RANGE: 0-7.0 GHz
 TEMPERATURE RANGE: -55°C TO 85°C
 WATERPROOF DESIGN: IP68 RATED

				UNLESS OTHERWISE SPECIFIED								
7	11831-01	INSTALLATION GUIDE, 50 OHM, BRAIDED	.005	ALL DIMENSIONS ARE FOR REFERENCE ONLY. ALL DIMENSIONS ARE IN INCHES. INTERPRET DIMENSIONS PER ASME Y14.5M-1994.	DRAWN	C. ZUÑIGA	10/10/15	RF INDUSTRIES 7610 MIRAMAR RD. SAN DIEGO, CA. 92126 858-549-6340 FAX 858-549-6345				
6	11565-01	CONTACT, 50 OHM, N FEMALE, 500	1		APPROVED							
5	11564-01	BODY, 50 OHM, N FEMALE, 400, 500	1		CBL GROUP N/A							
4	11561-01	COMPRESSION RING, 50 OHM, N MALE, 400	1		CODE: 000000							
3	11559-01	POST, 50OHM, N MALE, 400	1		MATERIAL: BRASS			THESE DRAWINGS AND SPECIFICATIONS ARE THE PROPERTY OF RF INDUSTRIES LTD AND SHALL NOT BE REPRODUCED, COPIED OR USED AS A BASIS FOR MANUFACTURE OR SALE OF EQUIPMENT OR DEVICES WITHOUT WRITTEN PERMISSION.				
2	11558-01	CLAMP, 50 OHM, N MALE, 400	1		FINISH: WHITE BRONZE						TITLE: N FEMALE FOR 400	
1	11557-01	INSULATOR, 50 OHM, N MALE, 400, 500	1		RoHS COMPLIANT			SCALE	DWG. NO.	COMP-NF-400		SHEET
#	PART #	DESCRIPTION	QTY	NTS					1 OF 1			E1