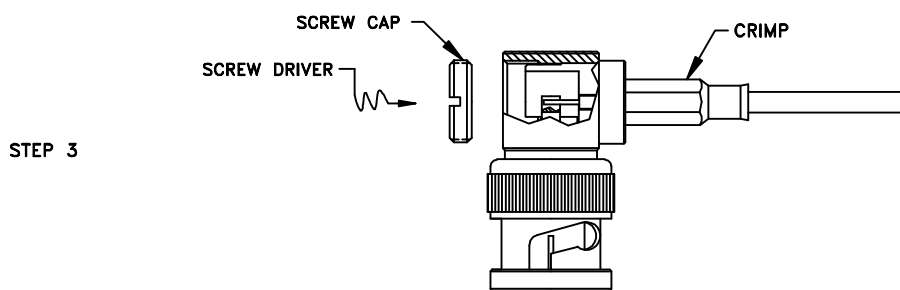
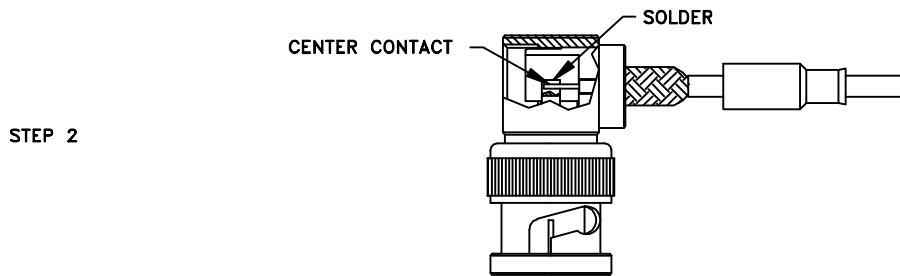
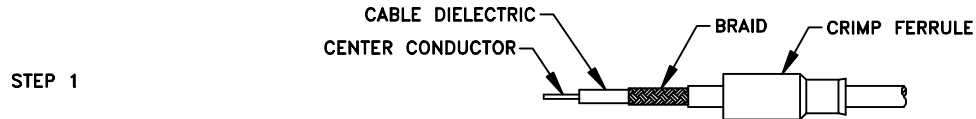
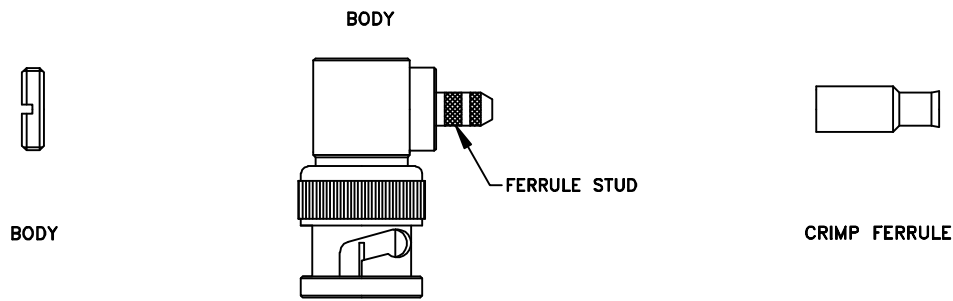


CABLE ASSEMBLY INSTRUCTIONS

RFB-1710-S



Step 1: Cut end of cable evenly. Strip cable to dimensions shown in catalog or on outline drawing. All cuts are to be clean and square. Do not nick braid or center conductor when cutting. Slide ferrule over cable. If using strain relief or heat shrink tubing slide onto cable first.

Step 2: Slide ferrule stud under braid, while inserting the cable into the body. Solder cable center conductor to center contact using minimum amount of heat. Cable center conductor should not extend past outer diameter of connector contact.

Step 3: Slide the crimp ferrule over the braid until it yields against the back of the connector. Crimp the ferrule with crimp tool as specified on connector drawing. Trim any extra braid extending out of ferrule end. Tighten "screw cap" with flat head screw driver.

RFB-1710-S AP.DWG

RF CONNECTORS

01/19/06

7610 Miramar Road, San Diego, CA 92126-4202 - (858) 549-6340
(800) 233-1728 - Fax (858) 549-6345 E-mail: rfi@rfindustries.com - www.rfindustries.com

CZ