

Power Tapper N Type

Frequency 698-2700MHz

Features

- Low Insertion Loss
- Low VSWR
- Low PIM -155dBc
- 200 Watt Average Power
- Indoor/Outdoor Use
- RoHS Compliant
- Install Bracket Included



RFPT-NF-C48, RFPT-NF-C7, RFPT-NF-C10



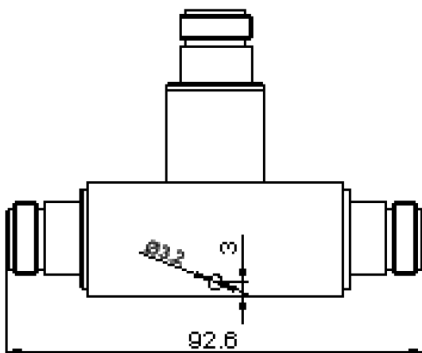
RFPT-NF-C20

GENERAL SPECIFICATIONS

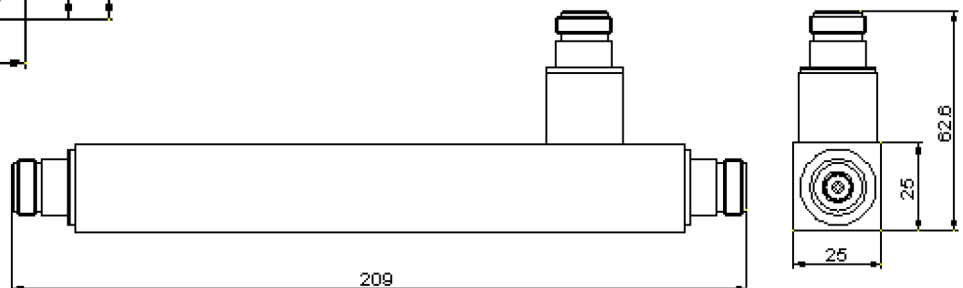
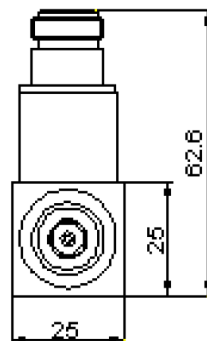
Frequency Range	698-2700MHz
Impedance.....	50Ω
Power Rating.....	200W avg
3rd PIM (dBc)	≤-155dBc@2X +43dBm tones
IP Grade	IP65
Temperature Range.....	-35° C to +85° C
Connector Type	N Female
Housing Material.....	Aluminum
Color.....	Black

ELECTRICAL SPECIFICATIONS

Model Number	Coupling	VSWR	Branch Flatness ref. to Input Level, incl Loss, dB		Insertion Loss	
			698-960	1710-2700	698-960	1710-2700
RFPT-NF-C48	4.8dB	≤1.35:1	±1.0	±1.0	1.7±0.5	1.7±0.5
RFPT-NF-C7	7.0dB	≤1.35:1	±1.0	±1.0	1.0±0.3	1.0±0.3
RFPT-NF-C10	10.0dB	≤1.35:1	±1.0	±1.0	0.5±0.2	0.5±0.2
RFPT-NF-C20	20dB	≤1.15:1	±1.5	±1.5	0.1±0.1	0.1±0.1



RFPT-NF-C20



RFPT-NF-C48, RFPT-NF-C7, RFPT-NF-C10