

Four Way Power Splitter

N Female, 698-2700MHz

RFPS-4C-NF

Low PIM

Low VSWR

Other Configurations Available

50 Ohms Impedance

RoHS Compliant

IP67 Rated



GENERAL SPECIFICATIONS

| | |
|-----------------------|----------------------------|
| Device Type | Power Splitter |
| Interface | N Female |
| Color | Black |
| Weight..... | 1.07 lb |
| Dimensions..... | 9.5" L x 2.39" W x 2.28" H |
| Bracket Included..... | Yes |

ELECTRICAL SPECIFICATIONS

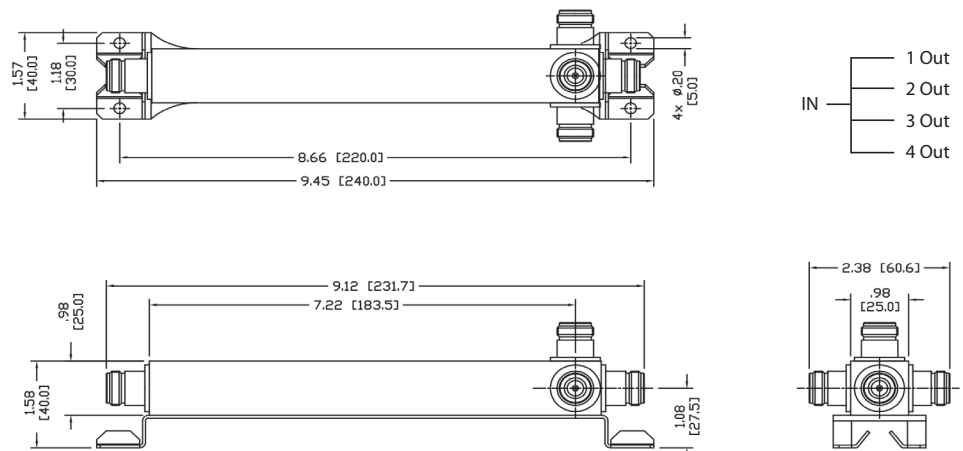
| | |
|--------------------------------------|-------------------------------------|
| Operation Frequency Band..... | 698-2700 MHz |
| 3rd Intermodulation | ≤-155 dBc min (relative to carrier) |
| 3rd Intermodulation Test Method..... | Two +43 dBm carriers |
| Average Power | 350 Watt |
| Impedance..... | 50Ω |
| Insertion Loss | <0.2dB@698-2700 MHz |
| Peak Power | 1.5 Kw |
| Split Loss | .6dB |
| VSWR..... | ≤1.25 |

MECHANICAL SPECIFICATIONS

| | |
|----------------------------|--------------------------|
| Inner Contact Plating..... | Silver |
| Outer Plating..... | White Bronze (Tri-Metal) |

ENVIRONMENTAL SPECIFICATIONS

| | |
|---|-------------------------------|
| Application | Indoor/Outdoor |
| Operating Temperature..... | -30°C ~ +75°C; -22°F ~ +167°F |
| Relative Humidity | Up to 100% |
| Regulatory Compliance / Certifications..... | RoHS / IP67 |



RF Industries

(NASDAQ: RFIL)

7610 Miramar Road
San Diego, CA 92126

(800) 233-1728

(858) 549-6340

Fax: (858) 549-6345

rfi@rfindustries.com

www.rfindustries.com