

30 Watt Termination Load

RFLOAD-NM30

Low PIM

Low VSWR

Other Configurations Available

50 Ohms Impedance

RoHS Compliant



GENERAL SPECIFICATIONS

Device Type	Termination Load
Interface	N Male
Color	Black
Weight.....	0.60 lb
Dimensions.....	1.8" L x 3.54" W x 3.54" H

ELECTRICAL SPECIFICATIONS

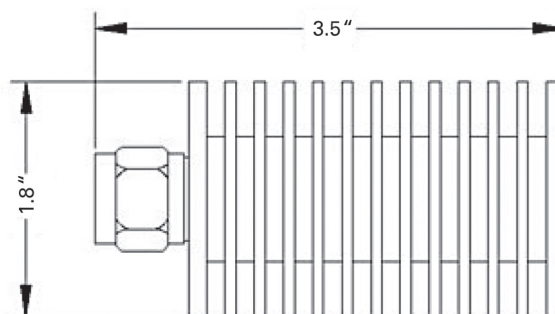
Frequency	DC-3000 Mhz
Intermodulation.....	< -110 dBc
Average Power	30 Watt
Impedance.....	50Ω
Peak Power	300 Watt
VSWR.....	≤1.20

MECHANICAL SPECIFICATIONS

Inner Contact Plating.....	Silver
Outer Plating.....	White Bronze (Tri-Metal)

ENVIRONMENTAL SPECIFICATIONS

Operating Temperature.....	-67°F ~ +185°F
Regulatory Compliance.....	RoHS



RF Industries

(NASDAQ: RFIIL)

7610 Miramar Road
San Diego, CA 92126
(800) 233-1728
(858) 549-6340
Fax: (858) 549-6345
rfi@rfindustries.com
www.rfindustries.com