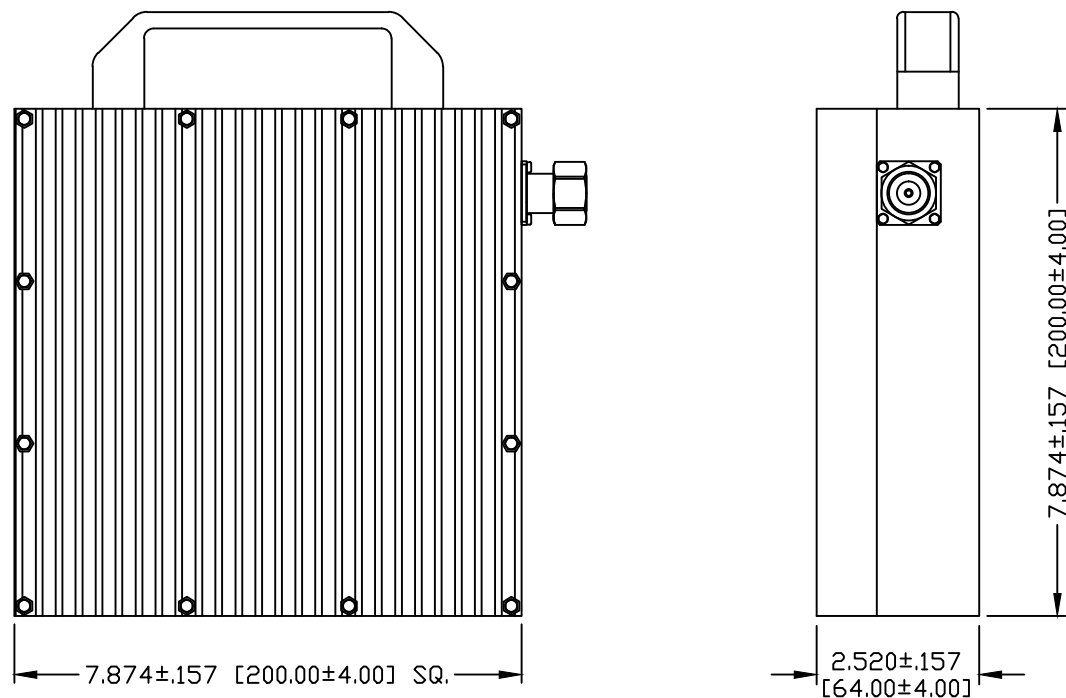


PART NO.

RFLOAD-43M100

REV	DESCRIPTION	DWN	DATE	APPROVED
A	MODIFIED DESIGN	CZS	07/09/19	JDMc

SPECIFICATIONS:

IMPEDANCE: 50 Ohms

OPERATION FREQUENCY BAND: 698–2700 MHz

AVERAGE POWER: 100 WATT

VSWR: ≤1.25

3RD INTERMODULATION: ≤−160dBc (RELATIVE TO CARRIER)

3RD INTERMODULATION TEST METHOD: 2x43dBm CARRIERS

OPERATION TEMPERATURE: −30°C ~ +65°C

IP GRADE: IP60

CUSTOMER
OUTLINE DRAWINGALL DIMENSIONS
ARE REFERENCE ONLYUNLESS OTHERWISE SPECIFIED:
DIMENSIONS ARE IN INCHES
AND [MILLIMETERS]

DRAWN	
C. ZUNIGA	07/09/19
CHECKED	
ORJ DRAWN	
C. ZUNIGA	09/18/18

**RoHS
COMPLIANT**

PROPRIETARY AND CONFIDENTIAL
THIS DRAWING CONTAINS
INFORMATION PROPRIETARY TO
RF INDUSTRIES. ANY
UNAUTHORIZED USE OF THIS
DRAWING IS EXPRESSLY
PROHIBITED WITHOUT WRITTEN
PERMISSION FROM RF
INDUSTRIES. ANY VIOLATION IS
PUNISHABLE UNDER U.S.
COPYRIGHT LAWS.

RFconnectors7610 MIRAMAR RD.
SAN DIEGO, CA 92126
(858) 549-6340
DIVISION OF RF INDUSTRIES, LTD. (858) 549-6345 FAX**4.3/10 MALE LOAD**
100 WATT

SIZE	CABLE GROUP	DWG NO.	REVISION
A	N/A	RFLOAD-43M100	A
SCALE:	ENGINEERING ID:	SHEET 1 OF 1	
NTS	000000		