

# 2 Watt Dummy Load N Male, DC-6GHz

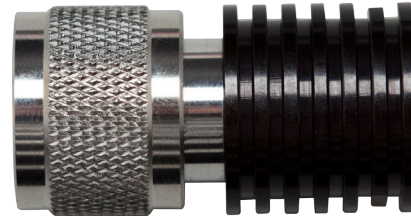
RFDL-2W-NM

**Low VSWR**

**Other  
Configurations  
Available**

**50 Ohms  
Impedance**

**RoHS Compliant**



## GENERAL SPECIFICATIONS

Device Type ..... Dummy Termination Load  
Interface ..... N Male

## ELECTRICAL SPECIFICATIONS

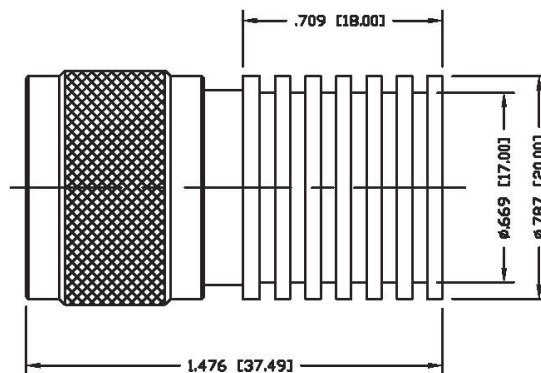
Frequency ..... DC-6GHz  
Average Power ..... 2Watt  
Impedance ..... 50Ω  
VSWR ..... ≤1.08 at 3GHz, ≤1.20 at 6GHz

## MECHANICAL SPECIFICATIONS

Inner Contact Plating ..... Silver  
Outer Plating ..... White Bronze / Brass (Tri-Metal)  
Heat Sink Plating ..... Aluminum (Black Anodized)

## ENVIRONMENTAL SPECIFICATIONS

Application ..... Indoor  
Operating Temperature ..... -35°C~+125°C; -31°F~+257°F  
Relative Humidity ..... Up to 95%



## RF Industries

(NASDAQ: RFIIL)

7610 Miramar Road  
San Diego, CA 92126

(800) 233-1728

(858) 549-6340

Fax: (858) 549-6345

rfi@rfindustries.com

www.rfindustries.com