

# 8dB Directional Coupler 7-16 DIN Female, 380-2700MHz

RFDC-8DBA-DF

**Low PIM**

**Low VSWR**

**Other Configurations Available**

**50 Ohms Impedance**

**RoHS Compliant**

**IP 67 Rated**



## GENERAL SPECIFICATIONS

Device Type .....	Directional Coupler
Interface .....	7-16 DIN Female
Color .....	Black
Dimensions.....	8.66" L x 3.1" W x 1.43" H
Bracket Included.....	Yes
Weight.....	2 lbs

## ELECTRICAL SPECIFICATIONS

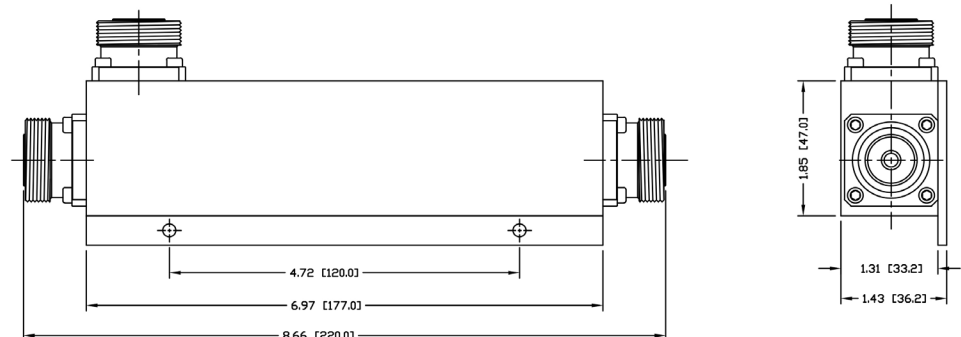
Operation Frequency Band.....	380-2700 MHz
3rd Intermodulation .....	≤-155 dBc (relative to carrier)
3rd Intermodulation Test Method.....	Two +43 dBm Carriers
Average Power, Maximum.....	500 Watt
Peak Power .....	1.5 Kw
Coupling .....	.8dB
Coupling Tolerance .....	±1.2dB
Impedance.....	50Ω
Insertion Loss .....	≤1.1dB@380-2700 MHz
Directivity.....	≥20dB
Isolation at Frequency Band .....	≥28dB@380-2700 MHz
VSWR.....	≤1.25

## MECHANICAL SPECIFICATIONS

Inner Contact Plating.....	Silver
Outer Plating.....	White Bronze (Tri-Metal)

## ENVIRONMENTAL SPECIFICATIONS

Application .....	Indoor/Outdoor
Operating Temperature.....	-30°C~+75°C; -22°F~+167°F
Relative Humidity .....	Up to 100%
Regulatory Compliance / Certifications.....	RoHS / IP67



**RF Industries**

(NASDAQ: RFIIL)

7610 Miramar Road  
San Diego, CA 92126

(800) 233-1728

(858) 549-6340

Fax: (858) 549-6345

rfi@rfindustries.com

www.rfindustries.com