

8dB Directional Coupler 4.3-10 Female, 380-2700MHz

RFDC-8DBA-43F

Low PIM

Low VSWR

Other Configurations Available

50 Ohms Impedance

RoHS Compliant

IP 67 Rated



GENERAL SPECIFICATIONS

| | |
|-----------------------|-----------------------------|
| Device Type | Directional Coupler |
| Interface | 4.3-10 Female |
| Color | Black |
| Dimensions..... | 8.39" L x 2.95" W x 0.87" H |
| Bracket Included..... | Yes |

ELECTRICAL SPECIFICATIONS

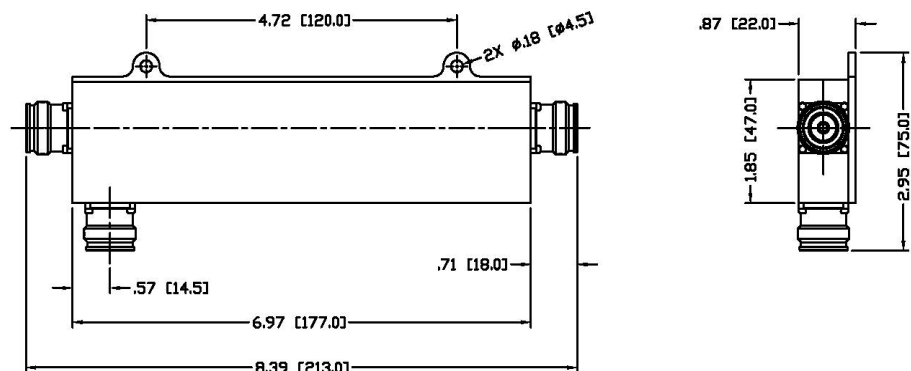
| | |
|--------------------------------------|----------------------------------|
| Operation Frequency Band..... | 380-2700 MHz |
| 3rd Intermodulation | ≤ -155 dBc (relative to carrier) |
| 3rd Intermodulation Test Method..... | Two +43 dBm carriers |
| Average Power | 400Watt |
| Impedance..... | 50Ω |
| Coupling | 8dB |
| Coupling Tolerance | ± 1.2dB |
| Insertion Loss | ≤ 1.1dB@380-2700 MHz |
| Isolation | ≥ 28dB@380-2700 MHz |
| Directivity..... | ≥ 20dB |
| Peak Power | 1.3Kw |
| VSWR..... | ≤ 1.25 |

MECHANICAL SPECIFICATIONS

| | |
|----------------------------|--------------------------|
| Inner Contact Plating..... | Silver |
| Outer Plating..... | White Bronze (Tri-Metal) |

ENVIRONMENTAL SPECIFICATIONS

| | |
|---|------------------------------|
| Application | Indoor/Outdoor |
| Operating Temperature..... | -20°C ~ +55°C; -4°F ~ +131°F |
| Relative Humidity | Up to 100% |
| Regulatory Compliance / Certifications..... | RoHS / IP67 |



RF Industries

(NASDAQ: RFIIL)

7610 Miramar Road
San Diego, CA 92126
(800) 233-1728
(858) 549-6340
Fax: (858) 549-6345
rfi@rfindustries.com
www.rfindustries.com