

6dB Directional Coupler N Female, 698-2700MHz

RFDC-6DBC-NF

Low PIM

Low VSWR

Other Configurations Available

50 Ohms Impedance

RoHS Compliant

IP 67 Rated



GENERAL SPECIFICATIONS

| | |
|-----------------------|-----------------------------|
| Device Type | Directional Coupler |
| Interface | N Female |
| Color | Black |
| Dimensions..... | 6.10" L x 2.95" W x 0.87" H |
| Bracket Included..... | Yes |
| Weight..... | 0.78 lbs |

ELECTRICAL SPECIFICATIONS

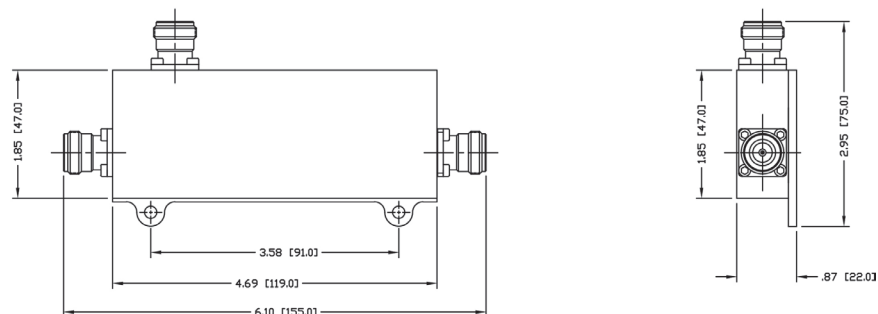
| | |
|--------------------------------------|----------------------------------|
| Operation Frequency Band..... | 698-2700 MHz |
| 3rd Intermodulation | ≤ -155 dBc (relative to carrier) |
| 3rd Intermodulation Test Method..... | Two +43 dBm carriers |
| Average Power | 200 Watt |
| Impedance..... | 50Ω |
| Coupling | 6dB |
| Coupling Tolerance | ±0.8dB |
| Insertion Loss | ≤ 1.7dB@698-2700 MHz |
| Isolation | ≥ 26dB@698-2700 MHz |
| Peak Power | 1 Kw |
| VSWR..... | ≤ 1.20 |

MECHANICAL SPECIFICATIONS

| | |
|----------------------------|--------------------------|
| Inner Contact Plating..... | Silver |
| Outer Plating..... | White Bronze (Tri-Metal) |

ENVIRONMENTAL SPECIFICATIONS

| | |
|---|-------------------------------|
| Application | Indoor/Outdoor |
| Operating Temperature..... | -30°C ~ +75°C; -22°F ~ +167°F |
| Relative Humidity | Up to 100% |
| Regulatory Compliance / Certifications..... | RoHS / IP67 |



RF Industries

(NASDAQ: RFIL)

7610 Miramar Road
San Diego, CA 92126
(800) 233-1728
(858) 549-6340
Fax: (858) 549-6345
rfi@rfindustries.com
www.rfindustries.com