

# 6dB Directional Coupler 4.3-10 Female, 698-2700MHz

RFDC-6DBC-43F

**Low PIM**

**Low VSWR**

**Other Configurations Available**

**50 Ohms Impedance**

**RoHS Compliant**

**IP 67 Rated**



## GENERAL SPECIFICATIONS

Device Type .....	Directional Coupler
Interface .....	4.3-10 Female
Color .....	Black
Dimensions.....	6.43" L x 3.30" W x 1.40" H
Bracket Included.....	Yes
Weight.....	1.25 lbs

## ELECTRICAL SPECIFICATIONS

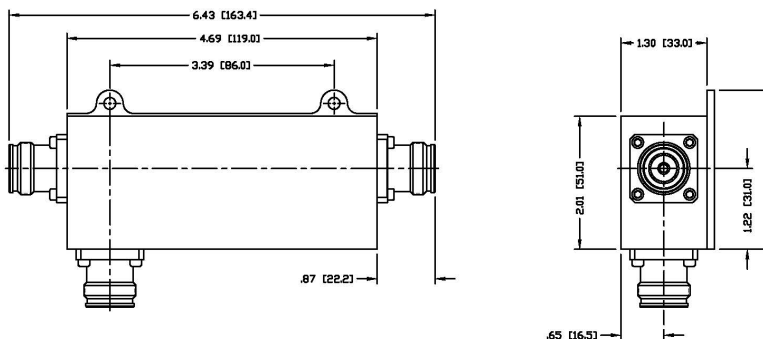
Operation Frequency Band.....	698-2700 MHz
3rd Intermodulation .....	≤ -155 dBc (relative to carrier)
3rd Intermodulation Test Method.....	Two +43 dBm carriers
Average Power .....	300Watt
Impedance .....	50Ω
Coupling .....	6dB
Coupling Tolerance .....	±0.8dB
Insertion Loss .....	≤ 1.7dB@698-2700 MHz
Isolation .....	≥ 26dB@698-2700 MHz
Peak Power .....	1.3Kw
VSWR.....	≤ 1.25

## MECHANICAL SPECIFICATIONS

Inner Contact Plating.....	Silver
Outer Plating.....	White Bronze (Tri-Metal)

## ENVIRONMENTAL SPECIFICATIONS

Application .....	Indoor/Outdoor
Operating Temperature.....	-30°C ~ +55°C; -22°F ~ +131°F
Relative Humidity .....	Up to 95%
Regulatory Compliance / Certifications.....	RoHS / IP67



## RF Industries

(NASDAQ: RFIIL)

7610 Miramar Road  
San Diego, CA 92126

(800) 233-1728

(858) 549-6340

Fax: (858) 549-6345

rfi@rfindustries.com

www.rfindustries.com