

6dB Directional Coupler 4.3-10 Female, 380-2700MHz

RFDC-6DBA-43F

Low PIM

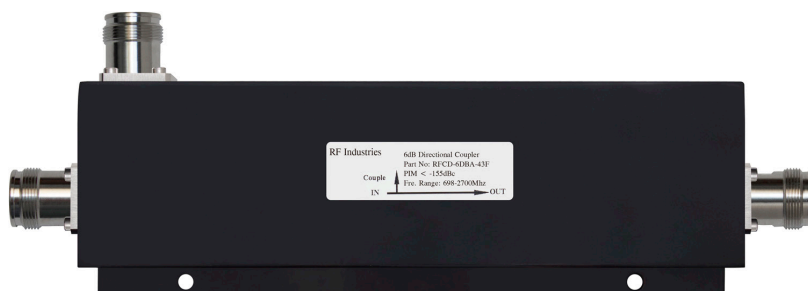
Low VSWR

**Other
Configurations
Available**

**50 Ohms
Impedance**

RoHS Compliant

IP 67 Rated



GENERAL SPECIFICATIONS

Device Type	Directional Coupler
Interface	4.3-10 Female
Color	Black
Dimensions.....	8.39" L x 2.95" W x 0.87" H
Bracket Included.....	Yes

ELECTRICAL SPECIFICATIONS

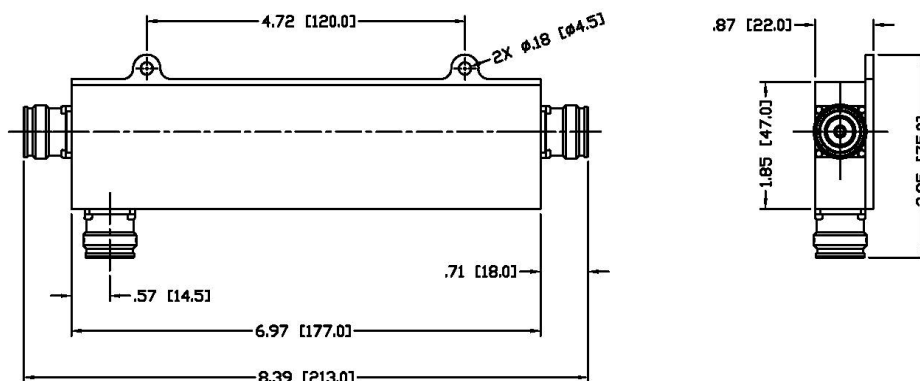
Operation Frequency Band.....	380-2700 MHz
3rd Intermodulation	≤ -155 dBc (relative to carrier)
3rd Intermodulation Test Method.....	Two +43 dBm carriers
Average Power	400 Watt
Impedance.....	50 Ω
Coupling	6dB
Coupling Tolerance	±1.2dB
Insertion Loss	≤ 1.6dB@380-2700 MHz
Isolation	≥ 27dB@380-2700 MHz
Directivity.....	≥ 20dB
Peak Power	1.3Kw
VSWR.....	≤ 1.25

MECHANICAL SPECIFICATIONS

Inner Contact Plating.....	Silver
Outer Plating.....	White Bronze (Tri-Metal)

ENVIRONMENTAL SPECIFICATIONS

Application	Indoor/Outdoor
Operating Temperature.....	-20°C ~ +55°C; -4°F ~ +131°F
Relative Humidity	Up to 100%
Regulatory Compliance / Certifications.....	RoHS / IP67



RF Industries

(NASDAQ: RFIIL)

7610 Miramar Road
San Diego, CA 92126

(800) 233-1728

(858) 549-6340

Fax: (858) 549-6345

rfi@rfindustries.com

www.rfindustries.com