

# 13dB Directional Coupler 7-16 DIN Female, 698-2700MHz

RFDC-13DBC-DF

**Low PIM**

**Low VSWR**

**Other  
Configurations  
Available**

**50 Ohms  
Impedance**

**RoHS Compliant**

**IP 67 Rated**



## GENERAL SPECIFICATIONS

Device Type .....	Directional Coupler
Interface .....	7-16 DIN Female
Color .....	Black
Dimensions.....	6.39" L x 3.25" W x 1.42" H
Bracket Included.....	Yes
Weight.....	1.64 lbs

## ELECTRICAL SPECIFICATIONS

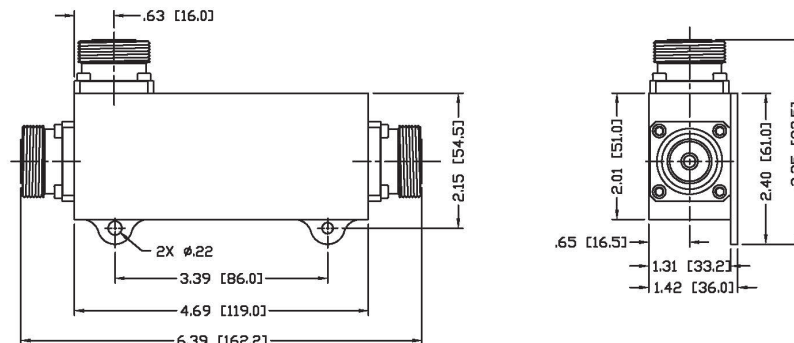
Operation Frequency Band.....	698-2700 MHz
3rd Intermodulation .....	≤ -155 dBc (relative to carrier)
3rd Intermodulation Test Method.....	Two +43 dBm carriers
Average Power .....	200 Watt
Impedance .....	50Ω
Coupling .....	13dB
Coupling Tolerance .....	± 1.0dB
Insertion Loss .....	≤ 0.5dB@698-2700 MHz
Isolation .....	≥ 33dB@698-2700 MHz
Peak Power .....	1 Kw
VSWR.....	≤ 1.20

## MECHANICAL SPECIFICATIONS

Inner Contact Plating.....	Silver
Outer Plating.....	White Bronze (Tri-Metal)

## ENVIRONMENTAL SPECIFICATIONS

Application .....	Indoor/Outdoor
Operating Temperature.....	-30°C ~ +75°C; -22°F ~ +167°F
Relative Humidity .....	Up to 100%
Regulatory Compliance / Certifications.....	RoHS / IP67



**RF Industries**

(NASDAQ: RFIIL)

7610 Miramar Road  
San Diego, CA 92126

(800) 233-1728

(858) 549-6340

Fax: (858) 549-6345

rfi@rfindustries.com

www.rfindustries.com