

10dB Directional Coupler N Female, 380-2700MHz

RFDC-10DBA-NF

Low PIM

Low VSWR

Other Configurations Available

50 Ohms Impedance

RoHS Compliant

IP 67 Rated



GENERAL SPECIFICATIONS

Device Type	Directional Coupler
Interface	N Female
Color	Black
Dimensions.....	8.39" L x 3" W x 0.87" H
Bracket Included.....	Yes
Weight.....	1 lbs

ELECTRICAL SPECIFICATIONS

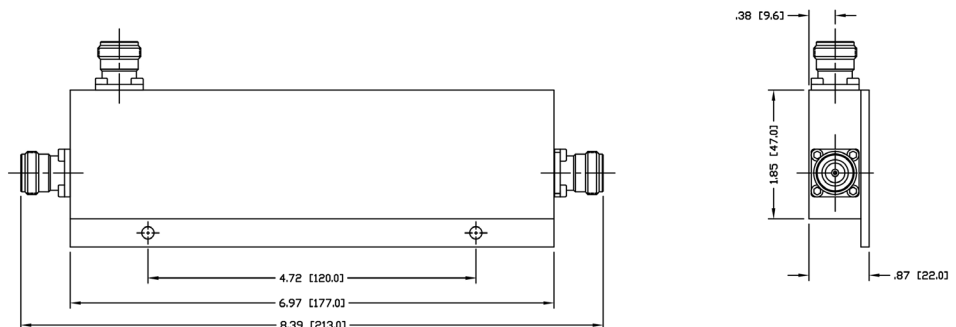
Operation Frequency Band.....	380-2700 MHz
3rd Intermodulation	≤ -155 dBc (relative to carrier)
3rd Intermodulation Test Method.....	Two +43 dBm Carriers
Average Power, Maximum.....	200 Watt
Peak Power	1.5 Kw
Coupling	10dB
Coupling Tolerance	± 1.2 dB
Impedance.....	50 Ω
Insertion Loss	≤ 0.7 dB@380-2700 MHz
Directivity.....	≥ 20 dB
Isolation at Frequency Band	≥ 30 dB@380-2700 MHz
VSWR.....	≤ 1.25

MECHANICAL SPECIFICATIONS

Inner Contact Plating.....	Silver
Outer Plating.....	White Bronze (Tri-Metal)

ENVIRONMENTAL SPECIFICATIONS

Application	Indoor/Outdoor
Operating Temperature.....	-30°C ~ +75°C; -22°F ~ +167°F
Relative Humidity	Up to 100%
Regulatory Compliance / Certifications.....	RoHS / IP67



RF Industries

(NASDAQ: RFIL)

7610 Miramar Road
San Diego, CA 92126
(800) 233-1728
(858) 549-6340
Fax: (858) 549-6345
rfi@rfindustries.com
www.rfindustries.com