

10dB Directional Coupler 7-16 DIN Female, 380-2700MHz

RFDC-10DBA-DF



Low PIM

Low VSWR

Other Configurations Available

50 Ohms Impedance

RoHS Compliant

IP 67 Rated



GENERAL SPECIFICATIONS

Device Type	Directional Coupler
Interface	7-16 DIN Female
Color	Black
Dimensions.....	8.66" L x 3.10" W x 1.43" H
Bracket Included.....	Yes
Weight.....	2 lbs

ELECTRICAL SPECIFICATIONS

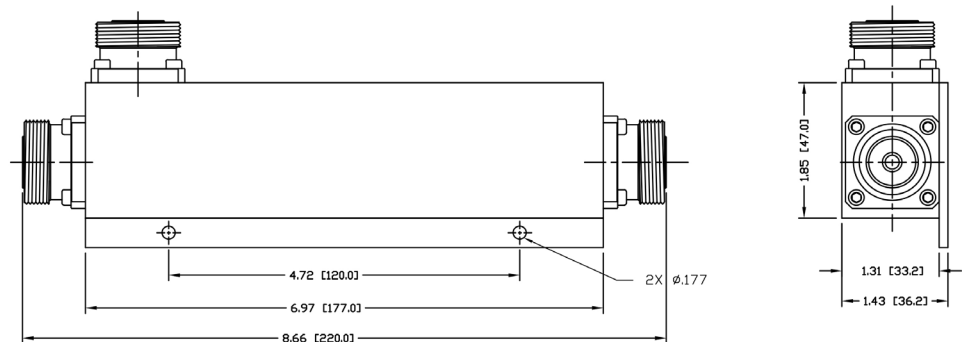
Operation Frequency Band.....	380-2700 MHz
3rd Intermodulation	≤-155 dBc (relative to carrier)
3rd Intermodulation Test Method.....	Two +43 dBm Carriers
Average Power, Maximum.....	500 Watt
Peak Power	1.5 Kw
Coupling	10dB
Coupling Tolerance	±1.2dB
Impedance.....	50Ω
Insertion Loss	≤0.7dB@380-2700 MHz
Directivity.....	≥20dB
Isolation at Frequency Band	≥30dB@380-2700 MHz
VSWR.....	≤1.25

MECHANICAL SPECIFICATIONS

Inner Contact Plating.....	Silver
Outer Plating.....	White Bronze (Tri-Metal)

ENVIRONMENTAL SPECIFICATIONS

Application	Indoor/Outdoor
Operating Temperature.....	-30°C~+75°C; -22°F~+167°F
Relative Humidity	Up to 100%
Regulatory Compliance / Certifications.....	RoHS / IP67



RF Industries

(NASDAQ: RFIL)

7610 Miramar Road
San Diego, CA 92126

(800) 233-1728

(858) 549-6340

Fax: (858) 549-6345

rfi@rfindustries.com

www.rfindustries.com