

# 10dB Directional Coupler 4.3-10 Female, 380-2700MHz

RFDC-10DBA-43F

**Low PIM**

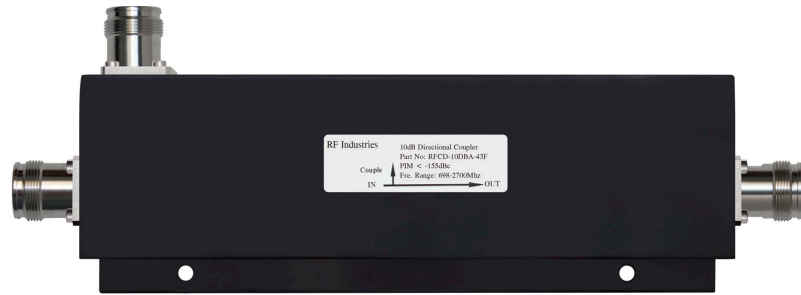
**Low VSWR**

**Other Configurations Available**

**50 Ohms Impedance**

**RoHS Compliant**

**IP 67 Rated**



## GENERAL SPECIFICATIONS

Device Type .....	Directional Coupler
Interface .....	4.3-10 Female
Color .....	Black
Dimensions.....	8.39" L x 2.95" W x 0.87" H
Bracket Included.....	Yes

## ELECTRICAL SPECIFICATIONS

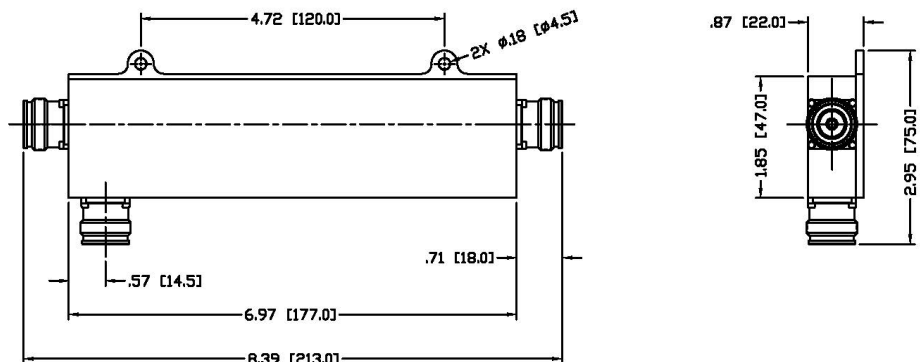
Operation Frequency Band.....	380-2700 MHz
3rd Intermodulation .....	≤ -155 dBc (relative to carrier)
3rd Intermodulation Test Method.....	Two +43 dBm carriers
Average Power .....	400Watt
Impedance.....	50Ω
Coupling .....	10dB
Coupling Tolerance .....	±1.2dB
Insertion Loss .....	≤ 1.35dB@380-2700 MHz
Isolation .....	≥ 30dB@380-2700 MHz
Directivity.....	≥ 20dB
Peak Power .....	1.3Kw
VSWR.....	≤ 1.25

## MECHANICAL SPECIFICATIONS

Inner Contact Plating.....	Silver
Outer Plating.....	White Bronze (Tri-Metal)

## ENVIRONMENTAL SPECIFICATIONS

Application .....	Indoor/Outdoor
Operating Temperature.....	-20°C ~ +55°C; -4°F ~ +131°F
Relative Humidity .....	Up to 100%
Regulatory Compliance / Certifications.....	RoHS / IP67



## RF Industries

(NASDAQ: RFIIL)

7610 Miramar Road  
San Diego, CA 92126

(800) 233-1728

(858) 549-6340

Fax: (858) 549-6345

rfi@rfindustries.com

www.rfindustries.com