

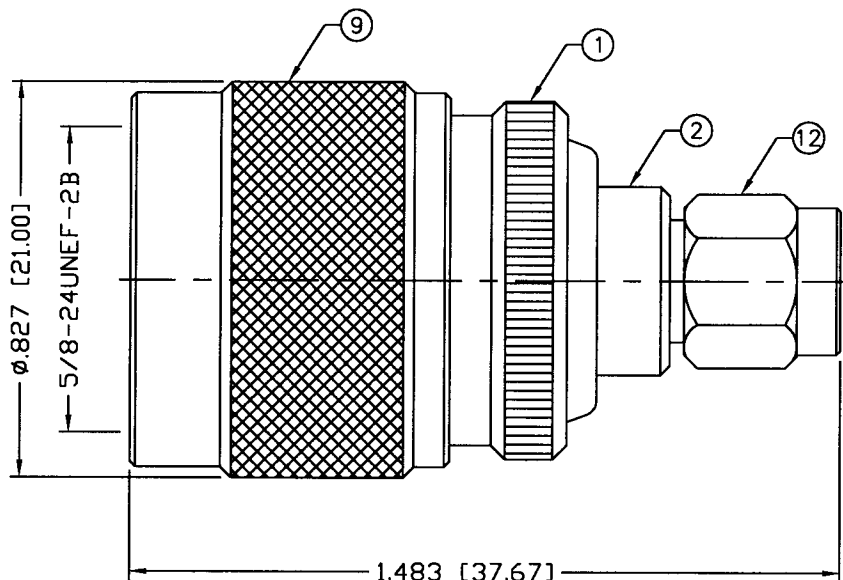
THIS DRAWING CONTAINS INFORMATION PROPRIETARY TO RF INDUSTRIES.
 ANY UNAUTHORIZED USE OF THIS DRAWING IS EXPRESSLY PROHIBITED
 WITHOUT WRITTEN PERMISSION FROM RF INDUSTRIES.
 ANY VIOLATION IS PUNISHABLE UNDER U.S. COPYRIGHT LAWS.

ALL DIMENSIONS ARE REFERENCE ONLY

PART NO.

RP-3453

REV	DESCRIPTION	DWN	DATE	APPROVED
-	ENGINEERING RELEASE	CZS	2/19/03	JDMc



SPECIFICATIONS:

IMPEDANCE: 50 Ohms
 FREQUENCY RANGE: 0-11 GHz
 WORKING VOLTAGE: 375 V rms @ sea level
 TEMPERATURE RANGE: -65°C TO 85°C
 INSULATION RESISTANCE: 5k M Ohms min.

1	BODY	1	BRASS	NICKEL, 100μ"
2	BODY	1	BRASS	NICKEL, 100μ"
3	INSULATOR	1	PTFE	---
4	INSULATOR	1	PTFE	---
5	CONTACT	1	Be. Cu.	GOLD, 3μ"
6	GROUND RING	1	BRASS	NICKEL, 100μ"
7	GASKET	1	SILICONE	---
8	RETAINING RING	1	SUS 304	---
9	SHELL	1	BRASS	NICKEL, 100μ"
10	GASKET	1	SILICONE	---
11	RETAINING RING	1	Be. Cu.	---
12	SHELL	1	BRASS	NICKEL, 100μ"
13				
14				

008974	
DRAWN C. ZUNIGA	6/6/03
CHECKED <i>[Signature]</i>	6-6-03
ORJ DRAWN C. ZUNIGA	6/6/03

UNLESS OTHERWISE SPECIFIED:
 1. REMOVE ALL BURRS
 2. BREAK ALL CORNERS & EDGES .005 R. MAX.
 3. CHAMFER 1ST & LAST THREADS 45°
 4. SURFACE ROUGHNESS 63 FINISH MIL-STD-10
 5. DIAMETERS ON COMMON CENTERS TO BE CONCENTRIC WITHIN .002 T.I.R.
 6. ALL DIMENSIONS ARE AFTER PLATING.

DIMENSIONS ARE IN INCHES AND [MILLIMETERS]
 UNLESS OTHERWISE NOTED TOLERANCES ARE:
 DECIMALS DIAMETER
 .xxx±.003 [.08] .xxx±.001 [.03]
 .xx±.005 [.13] .xx±.003 [.08]

RF connectors
 DIVISION OF RF INDUSTRIES, LTD.

7610 MIRAMAR RD
 SAN DIEGO, CA 92126
 (858) 549-6340
 (858) 549-6345 FAX

N PLUG TO SMA PLUG

REVERSE POLARITY ADAPTER

SIZE A	CABLE GROUP N/A	DWG NO. RP-3453	REV -
SCALE: NTS		CAD FILE OUTLINE	SHEET 1 OF 1