

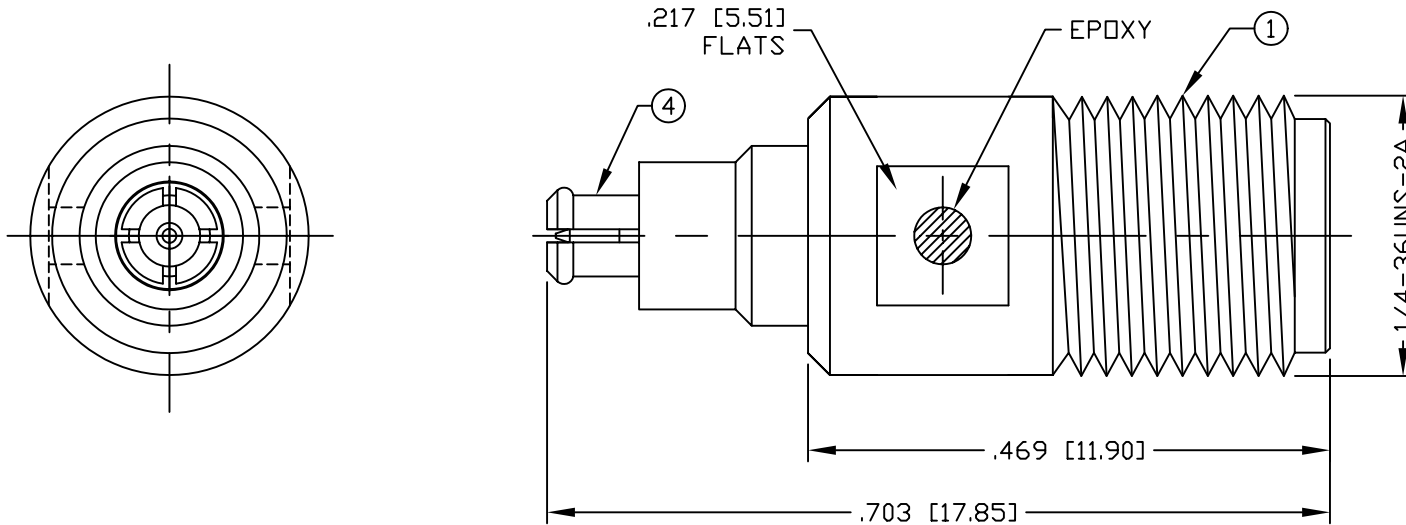
THIS DRAWING CONTAINS INFORMATION PROPRIETARY TO RF INDUSTRIES.
 ANY UNAUTHORIZED USE OF THIS DRAWING IS EXPRESSLY PROHIBITED
 WITHOUT WRITTEN PERMISSION FROM RF INDUSTRIES.
 ANY VIOLATION IS PUNISHABLE UNDER U.S. COPYRIGHT LAWS.

ALL DIMENSIONS ARE REFERENCE ONLY

PART NO.

RMC-6021

REV	DESCRIPTION	DWN	DATE	APPROVED
-	ENGINEERING RELEASE	CZS	8/25/93	JDMc



SPECIFICATIONS:

IMPEDANCE: 50 Ohms
 FREQUENCY RANGE: 0-3 GHz
 WORKING VOLTAGE: 250 V rms @ sea level
 TEMPERATURE RANGE: -65°C TO 165°C
 INSULATION RESISTANCE: 5k MOhms min.

1	BODY	1	SUS303	GOLD, 3μ"	000713	
2	CONTACT	1	Be.Cu.	GOLD, 30μ"		
3	INSULATOR	1	PTFE	---		
4	GROUND RING	1	Be.Cu.	GOLD, 8μ"		
5						
6						
7						
8						
9						
10					DRAWN	
11					C. ZUNIGA	10/15/04
12					CHECKED	
13					ORJ DRAWN	
14					C. ZUNIGA	10/15/04
#	DESCRIPTION	QTY	MATERIAL	FINISH	APPROVALS	DATE

UNLESS OTHERWISE SPECIFIED:

DIMENSIONS ARE IN INCHES
 AND [MILLIMETERS]
 UNLESS OTHERWISE NOTED
 TOLERANCES ARE:
 DECIMALS DIAMETER

RFconnectors
 DIVISION OF RF INDUSTRIES, LTD.

7610 MIRAMAR RD
 SAN DIEGO, CA 92126
 (858) 549-6340
 (858) 549-6345 FAX

**SMA JACK TO
 MC-CARD PLUG ADAPTER**

SIZE	CABLE GROUP	DWG NO.	REV
A	N/A	RMC-6021	-

SCALE: NTS

CAD FILE OUTLINE

SHEET 1 OF 1