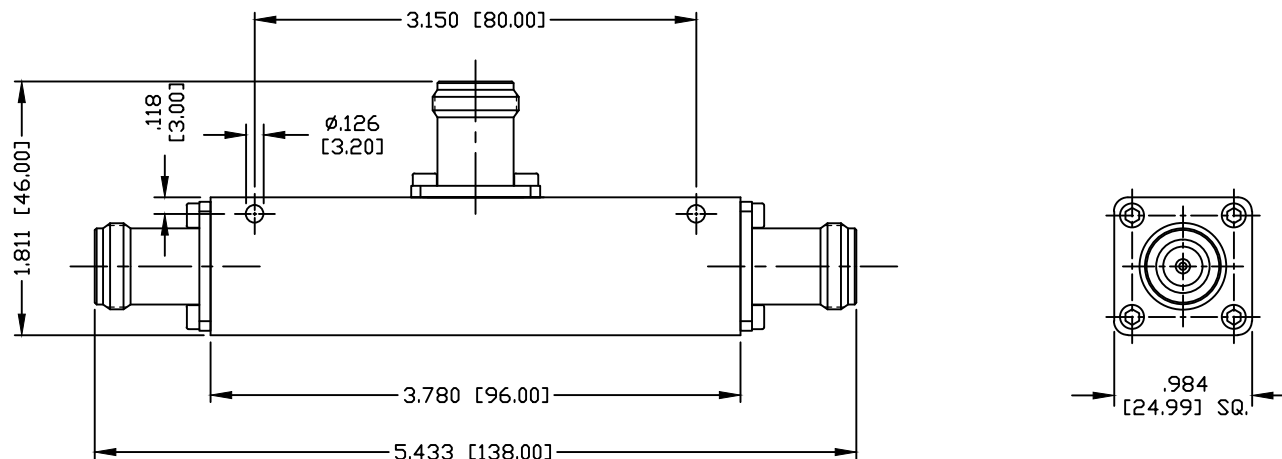


PART NO.

RFPT-NF-PS6

REV	DESCRIPTION	DWN	DATE	APPROVED
-	ENGINEERING RELEASE	CZS	03/07/19	JDMc

**SPECIFICATIONS:**

IMPEDANCE: 50 Ohms
 FREQUENCY BAND: 138-960 MHz
 POWER: 200 WATT
 INSERTION LOSS:

-6.3±0.7 @ 137-200 MHz
 -5.8±0.6 @ 200-250 MHz
 -5.4±0.6 @ 250-380 MHz
 -5.1±0.6 @ 380-520 MHz
 -4.8±0.5 @ 698-960 MHz

NOMINAL RATIO: 4:1/6dB
 OUTPUT SPLIT: -1.6/7.0
 VSWR: 1.4 @ 147-380
 VSWR: 1.3 @ 380-960
 OPERATION TEMPERATURE: -35°C ~ +75°C
 HUMIDITY: 5-95%
 APPLICATION: INDOOR/OUTDOOR
 REGULATORY COMPLIANCE: IP65

CUSTOMER
OUTLINE DRAWINGALL DIMENSIONS
ARE REFERENCE ONLYUNLESS OTHERWISE SPECIFIED:
DIMENSIONS ARE IN INCHES
AND [MILLIMETERS]

DRAWN	C. ZUNIGA	03/07/19
CHECKED		
ORJ DRAWN	C. ZUNIGA	03/07/19

**RoHS
COMPLIANT**

PROPRIETARY AND CONFIDENTIAL
 THIS DRAWING CONTAINS
 INFORMATION PROPRIETARY TO
 RF INDUSTRIES. ANY
 UNAUTHORIZED USE OF THIS
 DRAWING IS EXPRESSLY
 PROHIBITED WITHOUT WRITTEN
 PERMISSION FROM RF
 INDUSTRIES. ANY VIOLATION IS
 PUNISHABLE UNDER U.S.
 COPYRIGHT LAWS.

RFconnectors

7610 MIRAMAR RD.
 SAN DIEGO, CA 92126
 (858) 549-6340
 (858) 549-6345 FAX

**6 dB POWER TAPPER
 N FEMALE - 138-690 MHz**

SIZE	CABLE GROUP	DWG NO.	REVISION
A		RFPT-NF-PS6	—
SCALE: NTS	ENGINEERING ID: 000000	SHEET 1 OF 1	