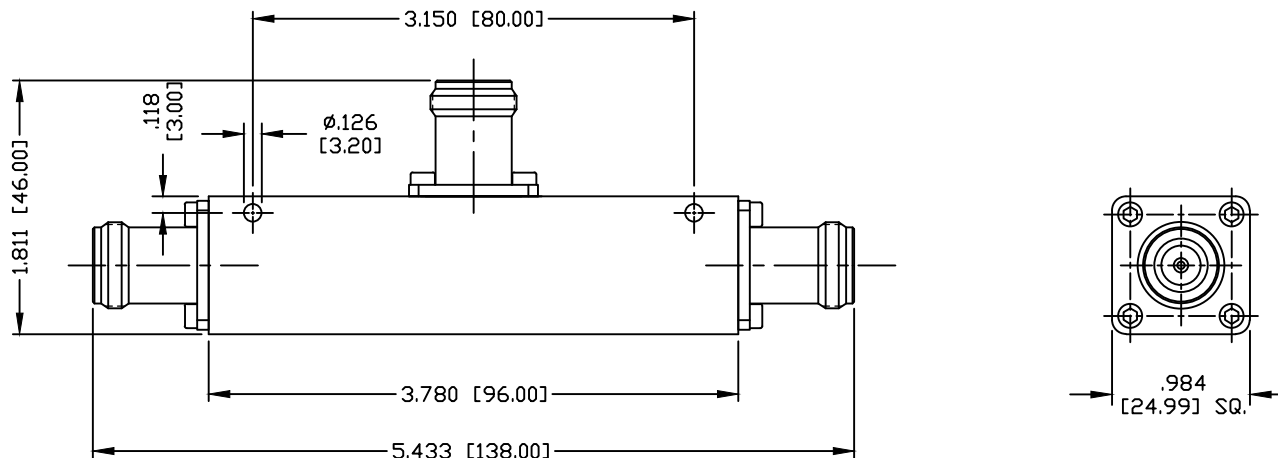


PART NO.

RFPT-NF-PS3


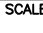
REV	DESCRIPTION	DWN	DATE	APPROVED
-	ENGINEERING RELEASE	CZS	03/07/19	JDMc

SPECIFICATIONS:

IMPEDANCE: 50 Ohms
 FREQUENCY BAND: 138–960 MHz
 POWER: 200 WATT
 INSERTION LOSS:

–6.3±0.7 @ 137–200 MHz
 –5.8±0.6 @ 200–250 MHz
 –5.4±0.6 @ 250–380 MHz
 –5.1±0.6 @ 380–520 MHz
 –4.8±0.5 @ 698–960 MHz

NOMINAL RATIO: 2:1/3dB
 OUTPUT SPLIT: –1.8/4.8
 VSWR: 1.4 @ 147–380
 VSWR: 1.3 @ 380–960
 OPERATION TEMPERATURE: –35°C ~ +75°C
 HUMIDITY: 5–95%
 APPLICATION: INDOOR/OUTDOOR
 REGULATORY COMPLIANCE: IP65

CUSTOMER OUTLINE DRAWING		RoHS COMPLIANT		RFconnectors DIVISION OF RF INDUSTRIES, LTD.		7610 MIRAMAR RD. SAN DIEGO, CA 92126 (858) 549-6340 (858) 549-6345 FAX	
ALL DIMENSIONS ARE REFERENCE ONLY						3 dB POWER TAPPER N FEMALE - 138-690 MHz	
UNLESS OTHERWISE SPECIFIED: DIMENSIONS ARE IN INCHES AND [MILLIMETERS]		PROPRIETARY AND CONFIDENTIAL THIS DRAWING CONTAINS INFORMATION PROPRIETARY TO RF INDUSTRIES. ANY UNAUTHORIZED USE OF THIS DRAWING IS EXPRESSLY PROHIBITED WITHOUT WRITTEN PERMISSION FROM RF INDUSTRIES. ANY VIOLATION IS PUNISHABLE UNDER U.S. COPYRIGHT LAWS.		SIZE	CABLE GROUP	DWG NO.	REVISION
DRAWN	C. ZUNIGA	03/07/19				RFPT-NF-PS3	—
CHECKED							SCALE:
ORJ DRAWN	C. ZUNIGA	03/07/19					