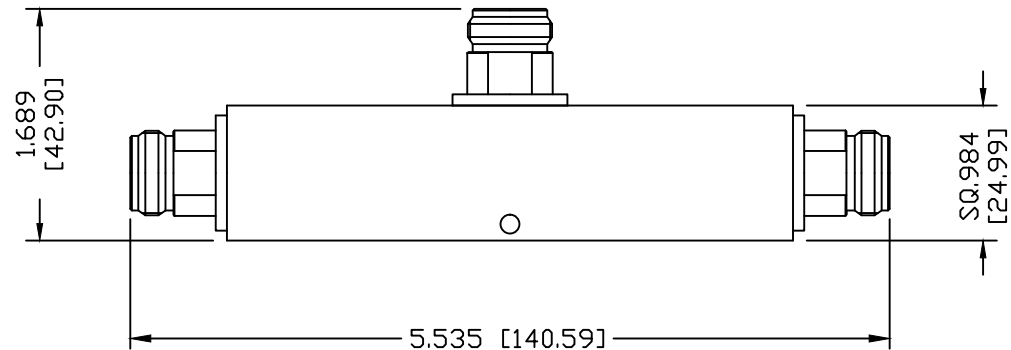


MOUNTING BRACKET INCLUDED

PART NO.		RFPT-NF-A7		
REV	DESCRIPTION	DWN	DATE	APPROVED
-	ENGINEERING RELEASE	CZS	07/07/18	JDMc



SPECIFICATIONS:

IMPEDANCE: 50 Ohms
 OPERATION FREQUENCY BAND: 350-2700 MHz
 3RD INTERMODULATION: -155 dBc (RELATIVE TO CARRIER)
 3RD INTERMODULATION TEST METHOD: 2x43dBm CARRIERS
 POWER RATING: 200 WATT
 COUPLING: 7dB
 COUPLING TOLERANCE (350-960 MHz): ±1.0dB
 COUPLING TOLERANCE (1710-2700 GHz): ±.5dB
 VSWR: 350-960 MHz 1.30:1
 VSWR: 1710-2700 MHz 1.25:1
 INSERTION LOSS: ≤1.5dB @ 350-2700MHz
 RETURN LOSS: 19 (INPUT)
 TEMPERATURE RANGE: -40°C ~ +75°C
 APPLICATION: INDOOR/OUTDOOR
 REGULATORY COMPLIANCE/CERTIFICATIONS: RoHS/IP65

NOTES:

ALL CONNECTORS WILL HAVE PROTECTIVE CAPS ON

CUSTOMER OUTLINE DRAWING <hr/> ALL DIMENSIONS ARE REFERENCE ONLY <hr/> UNLESS OTHERWISE SPECIFIED: DIMENSIONS ARE IN INCHES AND [MILLIMETERS]		RoHS COMPLIANT	RFconnectors DIVISION OF RF INDUSTRIES, LTD.	7610 MIRAMAR RD. SAN DIEGO, CA 92126 (858) 549-6340 (858) 549-6345 FAX	
PROPRIETARY AND CONFIDENTIAL THIS DRAWING CONTAINS INFORMATION PROPRIETARY TO RF INDUSTRIES, ANY UNAUTHORIZED USE OF THIS DRAWING IS EXPRESSLY PROHIBITED WITHOUT WRITTEN PERMISSION FROM RF INDUSTRIES. ANY VIOLATION IS PUNISHABLE UNDER U.S. COPYRIGHT LAWS.		7 dB POWER TAPPER N FEMALE - 350-2700 MHz			
DRAWN C. ZUNIGA CHECKED	09/06/18	SIZE A	CABLE GROUP	DWG NO. RFPT-NF-A7	REV —
ORJ DRAWN C. ZUNIGA	07/07/18	SCALE: NTS	ENGINEERING ID: 000000	SHEET 1 OF 1	