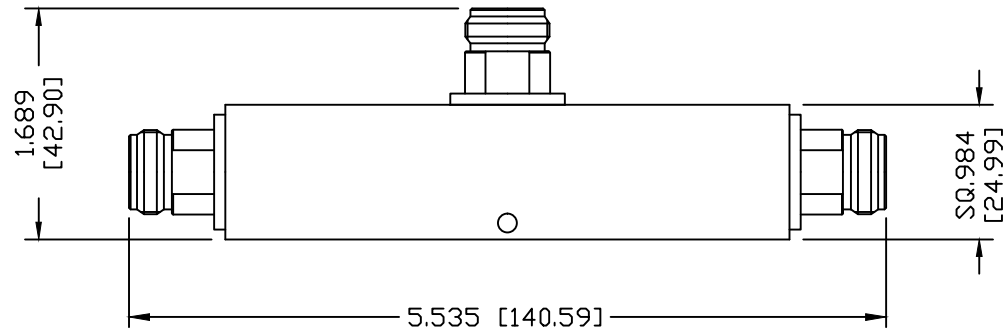


MOUNTING BRACKET INCLUDED

PART NO.		<b>RFPT-NF-A48</b>		
REV	DESCRIPTION	DWN	DATE	APPROVED
-	ENGINEERING RELEASE	CZS	08/03/18	JDMc



SPECIFICATIONS:

IMPEDANCE: 50 Ohms  
 OPERATION FREQUENCY BAND: 350-2700 MHz  
 3RD INTERMODULATION: -155 dBc (RELATIVE TO CARRIER)  
 3RD INTERMODULATION TEST METHOD: 2x43dBm CARRIERS  
 POWER RATING: 200 WATT  
 COUPLING: 4.8dB  
 COUPLING TOLERANCE (350-960 MHz):  $\pm 1.2$ dB  
 COUPLING TOLERANCE (1710-2700 GHz):  $\pm 0.5$ dB  
 VSWR: 350-960 MHz 1.30:1  
 VSWR: 1710-2700 MHz 1.25:1  
 RETURN LOSS: 19 (INPUT)  
 TEMPERATURE RANGE: -40°C ~ +75°C  
 APPLICATION: INDOOR/OUTDOOR  
 REGULATORY COMPLIANCE/CERTIFICATIONS: RoHS/IP65

NOTES:  
 ALL CONNECTORS WILL HAVE PROTECTIVE CAPS ON

CUSTOMER OUTLINE DRAWING <hr/> ALL DIMENSIONS ARE REFERENCE ONLY <hr/> UNLESS OTHERWISE SPECIFIED: DIMENSIONS ARE IN INCHES AND [MILLIMETERS]		<b>RoHS</b> <b>COMPLIANT</b>	<b>RFconnectors</b> DIVISION OF RF INDUSTRIES, LTD.	7610 MIRAMAR RD. SAN DIEGO, CA 92126 (858) 549-6340 (858) 549-6345 FAX	
DRAWN C. ZUNIGA 09/06/18	CHECKED  	PROPRIETARY AND CONFIDENTIAL THIS DRAWING CONTAINS INFORMATION PROPRIETARY TO RF INDUSTRIES, ANY UNAUTHORIZED USE OF THIS DRAWING IS EXPRESSLY PROHIBITED WITHOUT WRITTEN PERMISSION FROM RF INDUSTRIES. ANY VIOLATION IS PUNISHABLE UNDER U.S. COPYRIGHT LAWS.	<b>4.8 dB POWER TAPPER</b> <b>N FEMALE - 350-2700 MHz</b>		
DRG DRAWN C. ZUNIGA 08/03/18	SCALE: NTS	SIZE A	CABLE GROUP  	DWG NO. <b>RFPT-NF-A48</b>	REV —
		ENGINEERING ID: 000000	SHEET 1 OF 1		