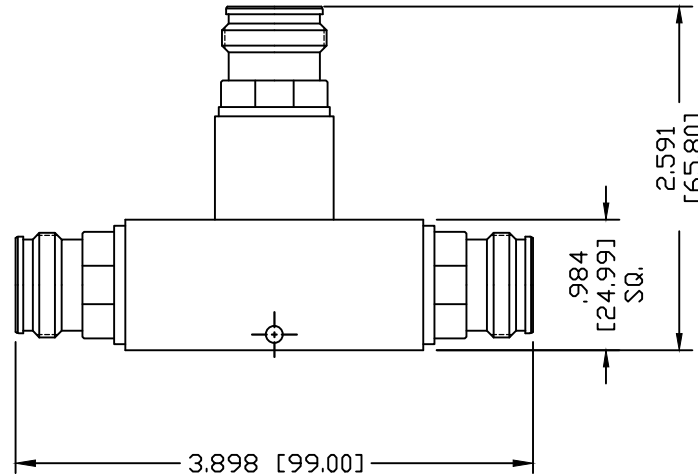


MOUNTING BRACKET INCLUDED

PART NO.		RFPT-43F-C20		
REV	DESCRIPTION	DWN	DATE	APPROVED
A	CHANGED IMAGE	CZS	11/28/18	JDMc



SPECIFICATIONS:

IMPEDANCE: 50 Ohms
 FREQUENCY RANGE: 698–2700 MHz
 COUPLING: 20±1.5 dB
 INSERTION LOSS: 0.1±0.1
 VSWR: 1.15:1
 POWER RATING: 200W
 3RD INTERMODULATION: -160 dBc (RELATIVE TO CARRIER)
 3RD INTERMODULATION TEST METHOD: 2x43dBm CARRIERS
 TEMPERATURE RANGE: -35°C ~ +85°C
 APPLICATION: INDOOR/OUTDOOR
 REGULATORY COMPLIANCE/CERTIFICATIONS: RoHS/IP65

NOTES:
 ALL CONNECTORS WILL HAVE PROTECTIVE CAPS ON

CUSTOMER OUTLINE DRAWING <hr/> ALL DIMENSIONS ARE REFERENCE ONLY <hr/> UNLESS OTHERWISE SPECIFIED: DIMENSIONS ARE IN INCHES AND [MILLIMETERS]				 7610 MIRAMAR RD. SAN DIEGO, CA 92126 (858) 549-6340 DIVISION OF RF INDUSTRIES, LTD. (858) 549-6345 FAX	
DRAWN C. ZUNIGA 11/28/18 CHECKED		PROPRIETARY AND CONFIDENTIAL THIS DRAWING CONTAINS INFORMATION PROPRIETARY TO RF INDUSTRIES, ANY UNAUTHORIZED USE OF THIS DRAWING IS EXPRESSLY PROHIBITED WITHOUT WRITTEN PERMISSION FROM RF INDUSTRIES. ANY VIOLATION IS PUNISHABLE UNDER U.S. COPYRIGHT LAWS.		20 dB POWER TAPPER 4.3-10 FEMALE - 698-2700 MHz	
ORJ DRAWN C. ZUNIGA	09/12/18	SIZE A	CABLE GROUP	DWG NO. RFPT-43F-C20	REVISION A
		SCALE: NTS	ENGINEERING ID: 000000	SHEET 1 OF 1	