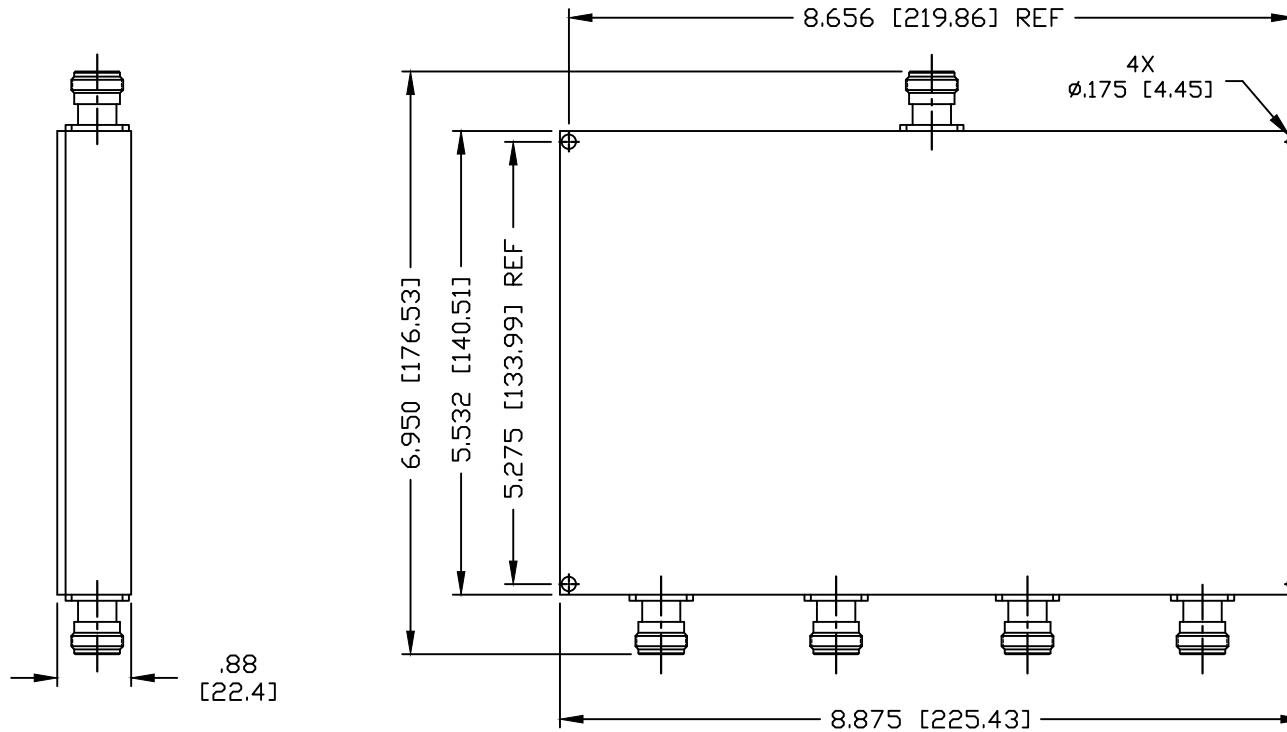


PART NO.

RFPSW-4PS-NF

REV	DESCRIPTION	DWN	DATE	APPROVED
-	ENGINEERING RELEASE	CZS	06/11/19	JDMc

**SPECIFICATIONS:**

IMPEDANCE: 50 Ohms
 FREQUENCY RANGE: 138-960 MHz
 INPUT PORT NUMBER: 1
 OUTPUT PORT NUMBER: 4
 SPLIT LOSS: 6dB
 INSERTION LOSS: ≤ 1.8 dB
 ISOLATION: 16dB MIN.
 VSWR: ≤ 1.35
 TOTAL INPUT POWER: 50W
 COLOR: RED
 TEMPERATURE RANGE: $-30^{\circ}\text{C} \sim +70^{\circ}\text{C}$
 APPLICATION: INDOOR/OUTDOOR
 REGULATORY COMPLIANCE/CERTIFICATIONS: IP65

NOTES:

ALL CONNECTORS WILL HAVE PROTECTIVE CAPS ON

CUSTOMER OUTLINE DRAWING ALL DIMENSIONS ARE REFERENCE ONLY		RoHS COMPLIANT		RFconnectors DIVISION OF RF INDUSTRIES, LTD.		7610 MIRAMAR RD. SAN DIEGO, CA 92126 (858) 549-6340 (858) 549-6345 FAX	
UNLESS OTHERWISE SPECIFIED: DIMENSIONS ARE IN INCHES AND [MILLIMETERS]		PROPRIETARY AND CONFIDENTIAL THIS DRAWING CONTAINS INFORMATION PROPRIETARY TO RF INDUSTRIES. ANY UNAUTHORIZED USE OF THIS DRAWING IS EXPRESSLY PROHIBITED WITHOUT WRITTEN PERMISSION FROM RF INDUSTRIES. ANY VIOLATION IS PUNISHABLE UNDER U.S. COPYRIGHT LAWS.		N FEMALE 4 WAY POWER SPLITTER WILKINSON - PUBLIC SAFETY		7610 MIRAMAR RD. SAN DIEGO, CA 92126 (858) 549-6340 (858) 549-6345 FAX	
DRAWN C. ZUNIGA	06/11/19	SIZE A	CABLE GROUP	DWG NO. RFPSW-4PS-NF	REVISION —		
ORJ DRAWN C. ZUNIGA	04/19/19	SCALE: NTS	ENGINEERING ID: 000000	SHEET 1 OF 1			