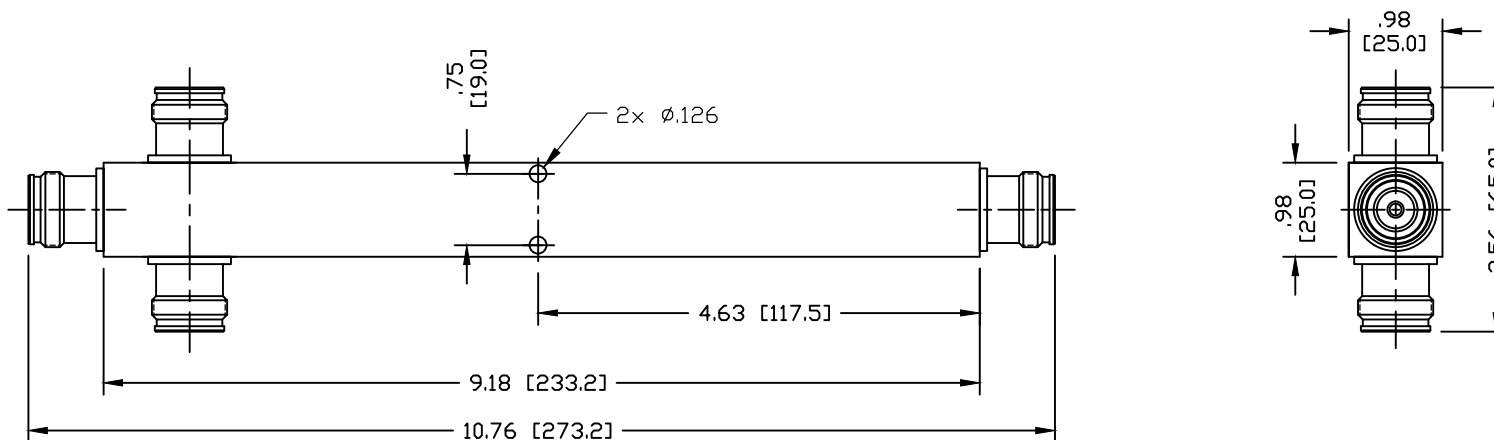


PART NO.

RFPS-3C-43F

REV	DESCRIPTION	DWN	DATE	APPROVED
B	UPDATED DESIGN & SPECS	CZS	09/11/19	JDMc

SPECIFICATIONS:

IMPEDANCE: 50 Ohms

OPERATION FREQUENCY BAND: 555–2700 MHZ

INPUT PORT: 1

OUTPUT PORT: 3

SPLIT LOSS: 4.8dB

INSERTION LOSS: ≤ 0.6 dB

VSWR:

 ≤ 1.35 @ 555–698 MHZ ≤ 1.30 @ 698–2700 MHZ3rd ORDER IM: ≤ -155 dBc (RELATIVE TO CARRIER) @ 698–2700MHZ

3rd ORDER IM TEST METHOD: 2x43dBm CARRIERS

TOTAL INPUT POWER: 300 WATT

COLOR: BLACK

OPERATION TEMPERATURE: $-30^{\circ}\text{C} \sim +65^{\circ}\text{C}$

APPLICATION: INDOOR/OUTDOOR

RELATIVE HUMIDITY: 5%–95%

REGULATORY COMPLIANCE/CERTIFICATIONS: RoHS/IP67

CUSTOMER
OUTLINE DRAWINGALL DIMENSIONS
ARE REFERENCE ONLYUNLESS OTHERWISE SPECIFIED:
DIMENSIONS ARE IN INCHES
AND [MILLIMETERS]

DRAWN	C. ZUNIGA	09/11/19
CHECKED		
ORJ DRAWN	C. ZUNIGA	03/15/16

**RoHS
COMPLIANT**

PROPRIETARY AND CONFIDENTIAL
THIS DRAWING CONTAINS
INFORMATION PROPRIETARY TO
RF INDUSTRIES. ANY
UNAUTHORIZED USE OF THIS
DRAWING IS EXPRESSLY
PROHIBITED WITHOUT WRITTEN
PERMISSION FROM RF
INDUSTRIES. ANY VIOLATION IS
PUNISHABLE UNDER U.S.
COPYRIGHT LAWS.

RFconnectors7610 MIRAMAR RD.
SAN DIEGO, CA 92126
(858) 549-6340
DIVISION OF RF INDUSTRIES, LTD. (858) 549-6345 FAX**4.3-10 FEMALE - 3 WAY - 555-2700 MHZ
REACTIVE POWER SPLITTER**

SIZE	CABLE GROUP	DWG NO.	REVISION
A		RFPS-3C-43F	B
SCALE:	ENGINEERING ID:	SHEET 1 OF 1	
NTS	000000		