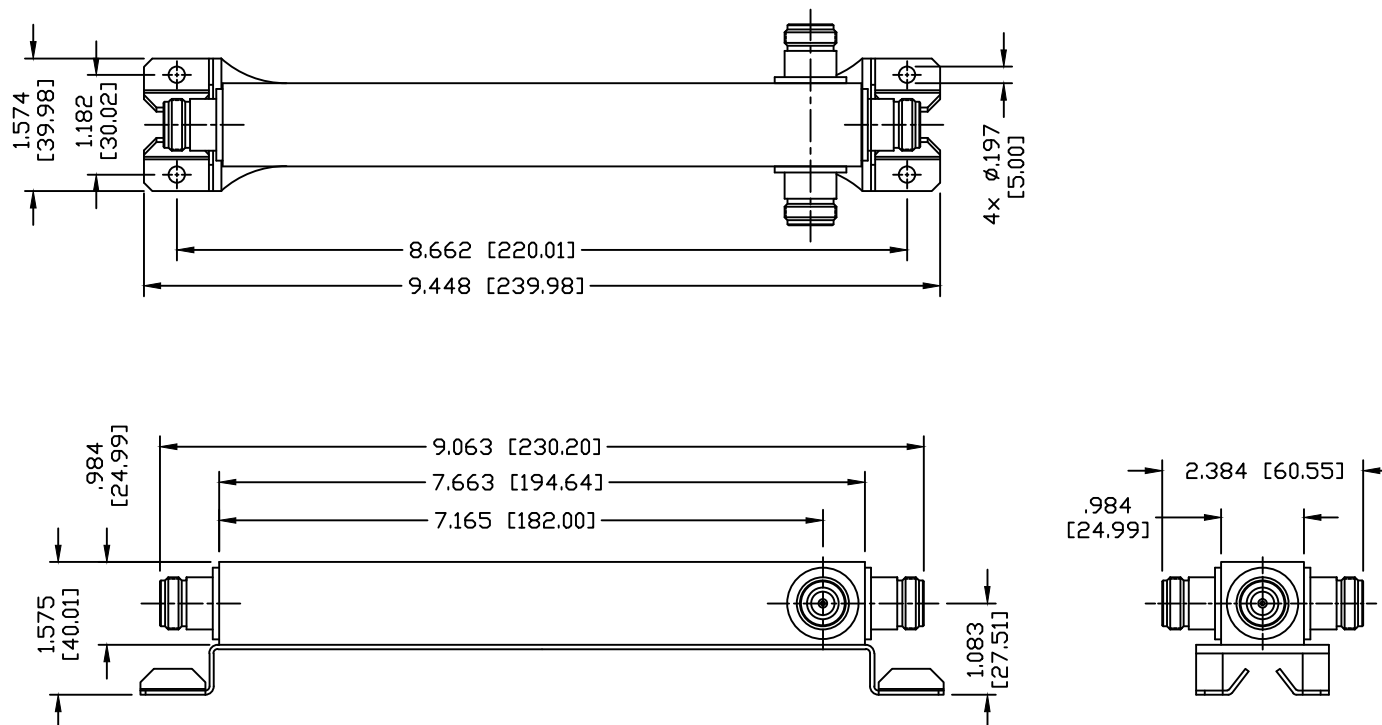


PART NO.

**RFPS-3-NF**

REV	DESCRIPTION	DWN	DATE	APPROVED
-	ENGINEERING RELEASE	CZS	11/18/15	JDMc

**SPECIFICATIONS:**

IMPEDANCE: 50 Ohms  
 OPERATION FREQUENCY BAND: 698–2700 MHz  
 3RD INTERMODULATION:  $\leq -155$  dBc (RELATIVE TO CARRIER)  
 3RD INTERMODULATION TEST METHOD: 2x43dBm CARRIERS  
 DISSIPATIVE LOSS AT FREQUENCY BAND: 0.3dB @698–2700MHz  
 MAXIMUM AVERAGE POWER: 300 WATT  
 INSERTION LOSS AT FREQUENCY BAND:  $<0.2$ dB@698–2700MHz  
 POWER PEAK MAX: 1KW  
 SPLIT LOSS: 4.8dB  
 VSWR:  $\leq 1.25$   
 INNER CONTACT PLATING: SILVER  
 OUTER PLATING: WHITE BRONZE  
 OPERATION TEMPERATURE:  $-30^{\circ}\text{C} \sim +75^{\circ}\text{C}$   
 RELATIVE HUMIDITY: UP TO 100%  
 APPLICATION: INDOOR/OUTDOOR  
 REGULATORY COMPLIANCE/CERTIFICATIONS: RoHS/IP65

CUSTOMER OUTLINE DRAWING ALL DIMENSIONS ARE REFERENCE ONLY		<b>RoHS</b> <b>COMPLIANT</b>		<b>RFconnectors</b> DIVISION OF RF INDUSTRIES, LTD.		7610 MIRAMAR RD. SAN DIEGO, CA 92126 (858) 549-6340 (858) 549-6345 FAX	
UNLESS OTHERWISE SPECIFIED: DIMENSIONS ARE IN INCHES AND [MILLIMETERS]		PROPRIETARY AND CONFIDENTIAL THIS DRAWING CONTAINS INFORMATION PROPRIETARY TO RF INDUSTRIES. ANY UNAUTHORIZED USE OF THIS DRAWING IS EXPRESSLY PROHIBITED WITHOUT WRITTEN PERMISSION FROM RF INDUSTRIES. ANY VIOLATION IS PUNISHABLE UNDER U.S. COPYRIGHT LAWS.		<b>N FEMALE POWER SPLITTER</b> THREE WAY - 698-2700 MHz			
DRAWN C. ZUNIGA	11/18/15	SIZE A	CABLE GROUP	DWG NO. <b>RFPS-3-NF</b>	REV —		
ORJ DRAWN C. ZUNIGA	11/18/15	SCALE: NTS	ENGINEERING ID: 000000	SHEET 1 OF 1			