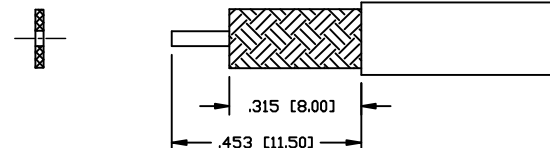
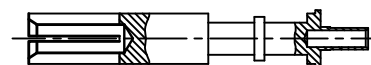
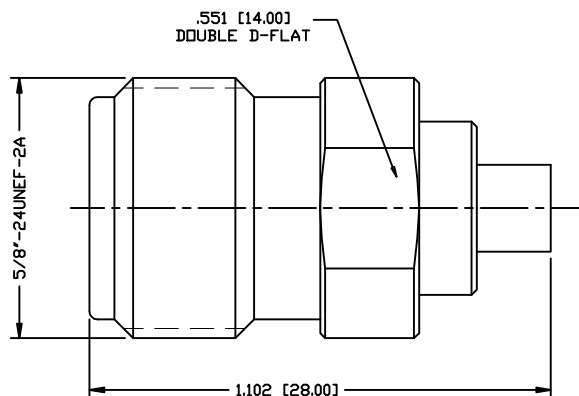


PART NO.

**RFN-1027-SR2**

REV	DESCRIPTION	DWN	DATE	APPROVED
-	ENGINEERING RELEASE	CZS	03/12/15	JDMc

**SPECIFICATIONS:**

IMPEDANCE: 50 Ohms

FREQUENCY RANGE: 0-6 GHz

VSWR: &lt;1.5:1 THRU 3GHz

PIM: &lt;-155 dBc

DIELECTRIC WITHSTANDING VOLTAGE: 750V/AC

INSULATION RESISTANCE: 5000M Ohms

TEMPERATURE RANGE: -40°C TO 155°C

MECHANICAL DURABILITY: 500 CYCLES

FOR .141 SEMI RIGID, RG-402/U &amp; BELDEN 1673A CABLE

CUSTOMER  
OUTLINE DRAWINGALL DIMENSIONS  
ARE REFERENCE ONLYUNLESS OTHERWISE SPECIFIED:  
DIMENSIONS ARE IN INCHES  
AND [MILLIMETERS]

DRAWN	C. ZUNIGA	03/12/15
CHECKED		
ORJ DRAWN	C. ZUNIGA	03/12/15

PROPRIETARY AND CONFIDENTIAL  
THIS DRAWING CONTAINS  
INFORMATION PROPRIETARY TO  
RF INDUSTRIES. ANY  
UNAUTHORIZED USE OF THIS  
DRAWING IS EXPRESSLY  
PROHIBITED WITHOUT WRITTEN  
PERMISSION FROM RF  
INDUSTRIES. ANY VIOLATION IS  
PUNISHABLE UNDER U.S.  
COPYRIGHT LAWS.

**RFconnectors**  
DIVISION OF RF INDUSTRIES, LTD. (858) 549-6345 FAX  
7610 MIRAMAR RD.  
SAN DIEGO, CA 92126  
(858) 549-6340

**N FEMALE**

DIRECT SOLDER

SIZE	CABLE GROUP	DWG NO.	REV
A	SR2	<b>RFN-1027-SR2</b>	—
SCALE:	ENGINEERING ID:	000000	SHEET 1 OF 1
NTS			

#	DESCRIPTION	QTY	MATERIAL	FINISH
4	SPACER	1	PE	---
3	CONTACT	1	BeCu	SILVER
2	INSULATOR	1	PTFE	---
1	BODY	1	BRASS	WHITE BRONZE