

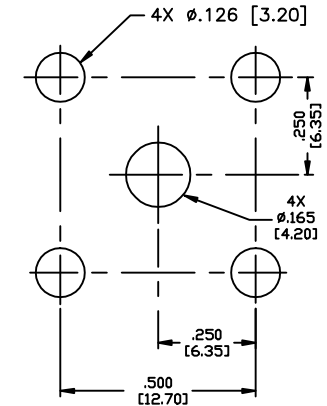
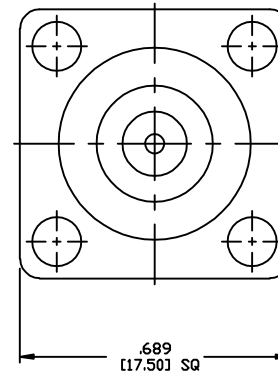
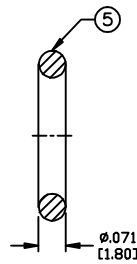
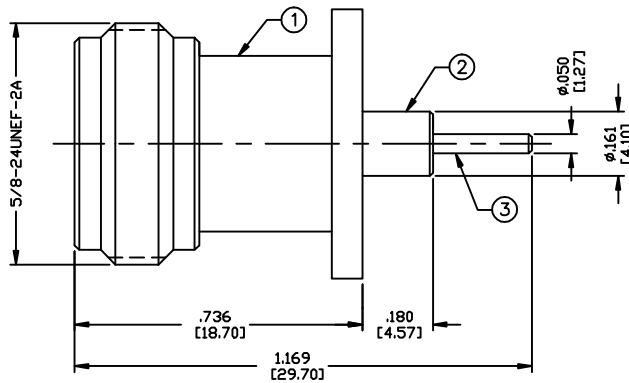
SPECIFICATIONS:

IMPEDANCE: 50 Ohms
 FREQUENCY RANGE: 0-11 GHz
 WORKING VOLTAGE: 1k V rms @ sea level
 TEMPERATURE RANGE: -65°C TO 85°C
 INSULATION RESISTANCE: 5k M Ohms min.

PART NO.

RFN-1021-5-03

REV	DESCRIPTION	DWN	DATE	APPROVED
-	ENGINEERING RELEASE	CZS	02/29/08	JDMc



RECOMMENDED MOUNTING CONFIGURATION

1	BODY	1	BRASS	NICKEL, 100μ"
2	INSULATOR	1	PTFE	---
3	CONTACT	1	PHOS BRONZE	GOLD, 3μ"
4	RING	1	BRASS	NICKEL, 100μ"
5	GASKET	1	SILICONE	---
6				
7				
8				
9				
10				
11				
12				
13				
14				
#	DESCRIPTION	QTY	MATERIAL	FINISH

CUSTOMER OUTLINE DRAWING	
ALL DIMENSIONS ARE REFERENCE ONLY	
DRAWN C. ZUNIGA	02/29/08
CHECKED	
ORJ DRAWN C. ZUNIGA	02/29/08
APPROVALS	DATE

R O H S
COMPLIANT

THIS DRAWING CONTAINS INFORMATION PROPRIETARY TO RF INDUSTRIES. ANY UNAUTHORIZED USE OF THIS DRAWING IS EXPRESSLY PROHIBITED WITHOUT WRITTEN PERMISSION FROM RF INDUSTRIES. ANY VIOLATION IS PUNISHABLE UNDER U.S. COPYRIGHT LAWS.

RF

7610 MIRAMAR RD
 SAN DIEGO, CA 92126
 (858) 549-6340
 (858) 549-6345 FAX

N JACK
MINI 4 HOLE FLANGE

SIZE A	CABLE GROUP N/A	DWG NO. RFN-1021-5-03	REV ---
SCALE: NTS	ENGINEERING ID 008974	SHEET 1 OF 1	