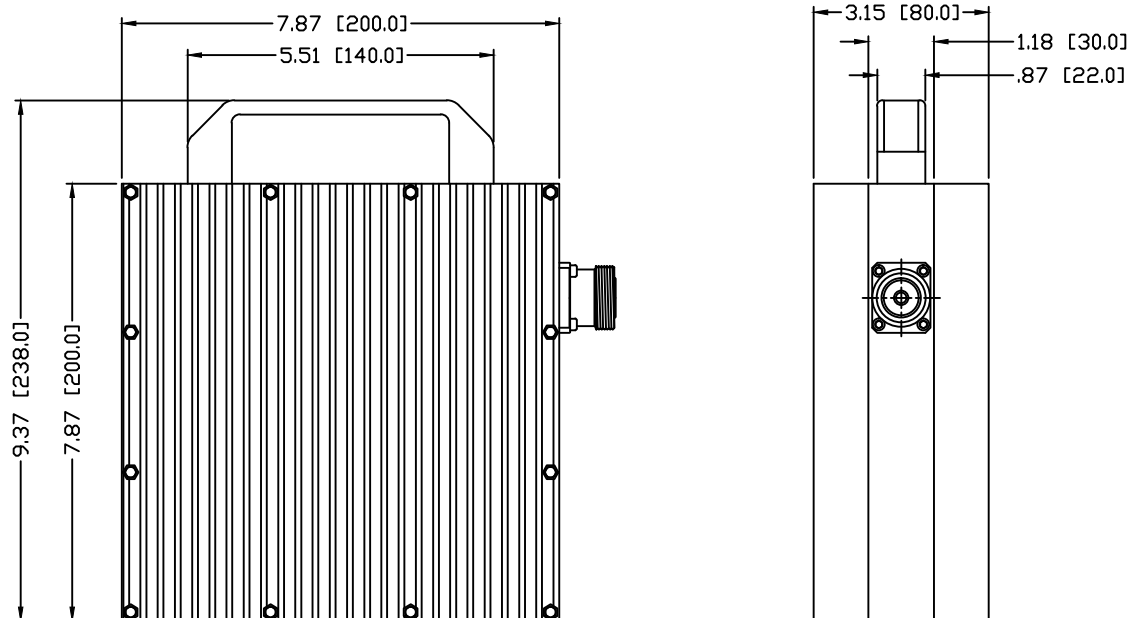


PART NO.

**RFLOAD-DF200**

REV	DESCRIPTION	DWN	DATE	APPROVED
-	ENGINEERING RELEASE	CZS	12/12/19	JDMc

SPECIFICATIONS:

IMPEDANCE: 50 Ohms  
 OPERATION FREQUENCY BAND: 600-2700MHz  
 3RD ORDER IM: -155dBc (RELATIVE TO CARRIER)  
 3RD ORDER IM TEST METHOD: 2x43dBm CARRIERS  
 VSWR:  $\leq 1.25$   
 POWER: 200W  
 TEMPERATURE RANGE: -30°C ~ +65°C  
 RELATIVE HUMIDITY: 5-95%

## NOTES:

CONNECTOR WILL HAVE PROTECTIVE CAP ON

CUSTOMER  
OUTLINE DRAWINGALL DIMENSIONS  
ARE REFERENCE ONLYUNLESS OTHERWISE SPECIFIED:  
DIMENSIONS ARE IN INCHES  
AND [MILLIMETERS]

DRAWN	
C. ZUNIGA	12/12/19
CHECKED	
ORJ DRAWN	
C. ZUNIGA	12/12/19

**RoHS**  
COMPLIANT

PROPRIETARY AND CONFIDENTIAL  
 THIS DRAWING CONTAINS  
 INFORMATION PROPRIETARY TO  
 RF INDUSTRIES. ANY  
 UNAUTHORIZED USE OF THIS  
 DRAWING IS EXPRESSLY  
 PROHIBITED WITHOUT WRITTEN  
 PERMISSION FROM RF  
 INDUSTRIES. ANY VIOLATION IS  
 PUNISHABLE UNDER U.S.  
 COPYRIGHT LAWS.

**RFconnectors**

7610 MIRAMAR RD.  
 SAN DIEGO, CA 92126  
 (858) 549-6340  
 DIVISION OF RF INDUSTRIES, LTD. (858) 549-6345 FAX

**200 WATT TERMINATION LOAD**  
**7/16 DIN FEMALE - 600-2700 MHz**

SIZE	CABLE GROUP	DWG NO.	REVISION
A	N/A	<b>RFLOAD-DF200</b>	—
SCALE:	ENGINEERING ID:	SHEET 1 OF 1	
NTS	000000		