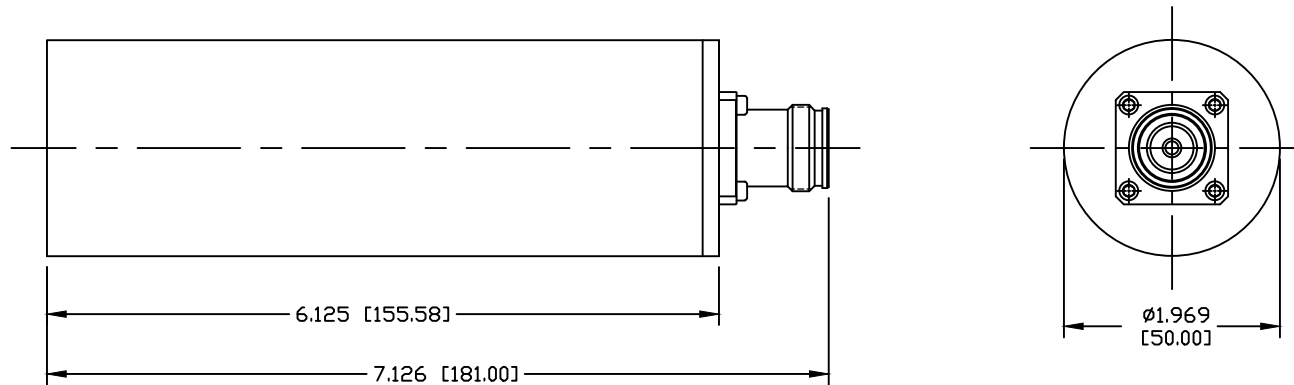


PART NO.

**RFLOAD-43F5**

REV	DESCRIPTION	DWN	DATE	APPROVED
A	UPDATED SPECS	CZS	11/1/19	JDMc

**SPECIFICATIONS:**

IMPEDANCE: 50 Ohms  
 OPERATION FREQUENCY BAND: 350–2700MHz  
 3rd ORDER IM: –160dBc (RELATIVE TO CARRIER)  
 3rd ORDER IM TEST METHOD: 2x43dBm CARRIERS  
 VSWR:  $\leq 1.3:1$  @ 350–600MHz  
 VSWR:  $\leq 1.2:1$  @ 600–2700MHz  
 AVERAGE POWER: 5W @ 350–2700MHz  
 APPLICATION: INDOOR  
 TEMPERATURE RANGE: –30°C ~ +65°C  
 COLOR: BLACK

**NOTES:**

CONNECTOR WILL HAVE PROTECTIVE CAP ON

CUSTOMER OUTLINE DRAWING		<b>RoHS</b> COMPLIANT	<b>RFconnectors</b> DIVISION OF RF INDUSTRIES, LTD.		7610 MIRAMAR RD. SAN DIEGO, CA 92126 (858) 549-6340 (858) 549-6345 FAX	
ALL DIMENSIONS ARE REFERENCE ONLY						
UNLESS OTHERWISE SPECIFIED: DIMENSIONS ARE IN INCHES AND [MILLIMETERS]		PROPRIETARY AND CONFIDENTIAL THIS DRAWING CONTAINS INFORMATION PROPRIETARY TO RF INDUSTRIES, ANY UNAUTHORIZED USE OF THIS DRAWING IS EXPRESSLY PROHIBITED WITHOUT WRITTEN PERMISSION FROM RF INDUSTRIES. ANY VIOLATION IS PUNISHABLE UNDER U.S. COPYRIGHT LAWS.		5 WATT TERMINATION LOAD 4.3-10 FEMALE - 350-2700 MHz		
DRAWN C. ZUNIGA	11/1/19	SIZE A	CABLE GROUP	DWG NO. <b>RFLOAD-43F5</b>	REVISION A	
CHECKED		SCALE: NTS	ENGINEERING ID: 000000	SHEET 1 OF 1		
ORJ DRAWN C. ZUNIGA	01/21/19					