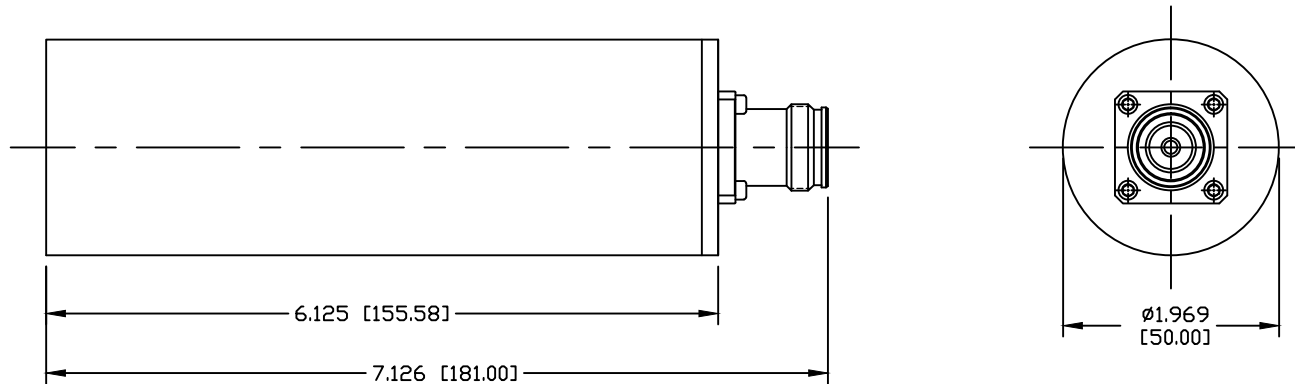


PART NO.

RFLOAD-43F30

REV	DESCRIPTION	DWN	DATE	APPROVED
A	UPDATED SPECS	CZS	11/1/19	JDMc

**SPECIFICATIONS:**

IMPEDANCE: 50 Ohms
 OPERATION FREQUENCY BAND: 350–2700MHz
 3rd ORDER IM: –160dBc (RELATIVE TO CARRIER)
 3rd ORDER IM TEST METHOD: 2x43dBm CARRIERS
 VSWR: $\leq 1.3:1$ @ 350–600MHz
 VSWR: $\leq 1.2:1$ @ 600–2700MHz
 AVERAGE POWER: 30W @ 350–2700MHz
 APPLICATION: INDOOR
 TEMPERATURE RANGE: –30°C ~ +65°C
 COLOR: BLACK

NOTES:

CONNECTOR WILL HAVE PROTECTIVE CAP ON

CUSTOMER OUTLINE DRAWING		RoHS COMPLIANT	RFconnectors DIVISION OF RF INDUSTRIES, LTD.		7610 MIRAMAR RD. SAN DIEGO, CA 92126 (858) 549-6340 (858) 549-6345 FAX	
ALL DIMENSIONS ARE REFERENCE ONLY						
UNLESS OTHERWISE SPECIFIED: DIMENSIONS ARE IN INCHES AND [MILLIMETERS]		PROPRIETARY AND CONFIDENTIAL THIS DRAWING CONTAINS INFORMATION PROPRIETARY TO RF INDUSTRIES, ANY UNAUTHORIZED USE OF THIS DRAWING IS EXPRESSLY PROHIBITED WITHOUT WRITTEN PERMISSION FROM RF INDUSTRIES. ANY VIOLATION IS PUNISHABLE UNDER U.S. COPYRIGHT LAWS.		30 WATT TERMINATION LOAD 4.3-10 FEMALE - 350-2700 MHz		
DRAWN C. ZUNIGA	11/1/19	SIZE A	CABLE GROUP	DWG NO. RFLOAD-43F30	REVISION A	
CHECKED		SCALE: NTS	ENGINEERING ID: 000000	SHEET 1 OF 1		
ORJ DRAWN C. ZUNIGA	01/21/19					