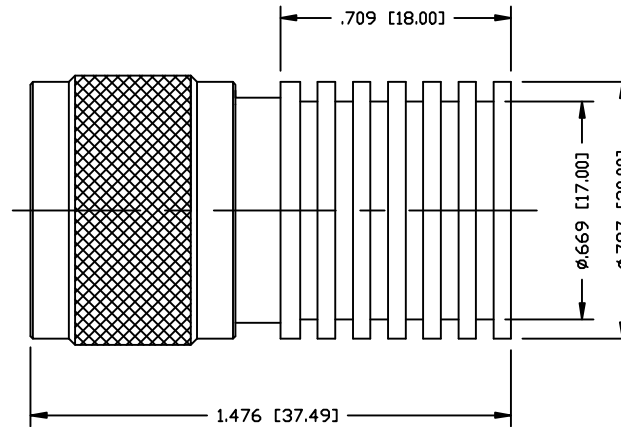


PART NO.

RFDL-5W-NM

REV	DESCRIPTION	DWN	DATE	APPROVED
-	ENGINEERING RELEASE	CZS	5/3/19	JDMc

SPECIFICATIONS:

IMPEDANCE: 50 Ohms
 OPERATION FREQUENCY BAND: DC-6GHz
 POWER RATED(WATTS): 5W @ 3 GHz
 VSWR: ≤ 1.08 @ 3GHz, ≤ 1.20 @ 6GHz
 RELATIVE HUMIDITY: 0-95%
 OPERATION TEMPERATURE: $-35^{\circ}\text{C} \sim +125^{\circ}\text{C}$
 RoHS COMPLIANT

CUSTOMER
OUTLINE DRAWINGALL DIMENSIONS
ARE REFERENCE ONLYUNLESS OTHERWISE SPECIFIED:
DIMENSIONS ARE IN INCHES
AND [MILLIMETERS]

DRAWN	JDM	5/3/19
CHECKED		
ORJ DRAWN	C. ZUNIGA	06/16/16

PROPRIETARY AND CONFIDENTIAL
 THIS DRAWING CONTAINS
 INFORMATION PROPRIETARY TO
 RF INDUSTRIES. ANY
 UNAUTHORIZED USE OF THIS
 DRAWING IS EXPRESSLY
 PROHIBITED WITHOUT WRITTEN
 PERMISSION FROM RF
 INDUSTRIES. ANY VIOLATION IS
 PUNISHABLE UNDER U.S.
 COPYRIGHT LAWS.

RFconnectors
 DIVISION OF RF INDUSTRIES, LTD.

7610 MIRAMAR RD.
 SAN DIEGO, CA 92126
 (858) 549-6340
 (858) 549-6345 FAX

N MALE 5 WATT
DUMMY LOAD

SIZE	CABLE GROUP	DWG NO.	REV
A	N/A	RFDL-5W-NM	—
SCALE:	ENGINEERING ID:	SHEET 1 OF 1	
NTS	000000		