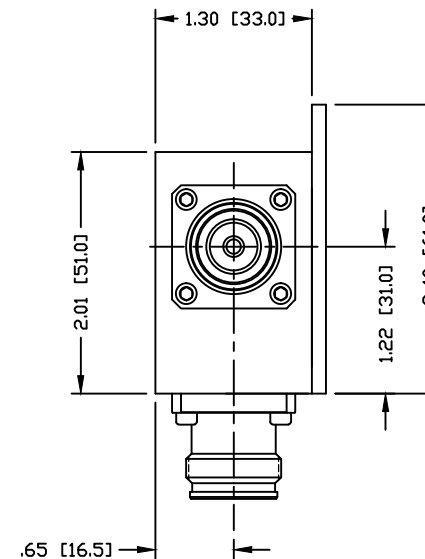
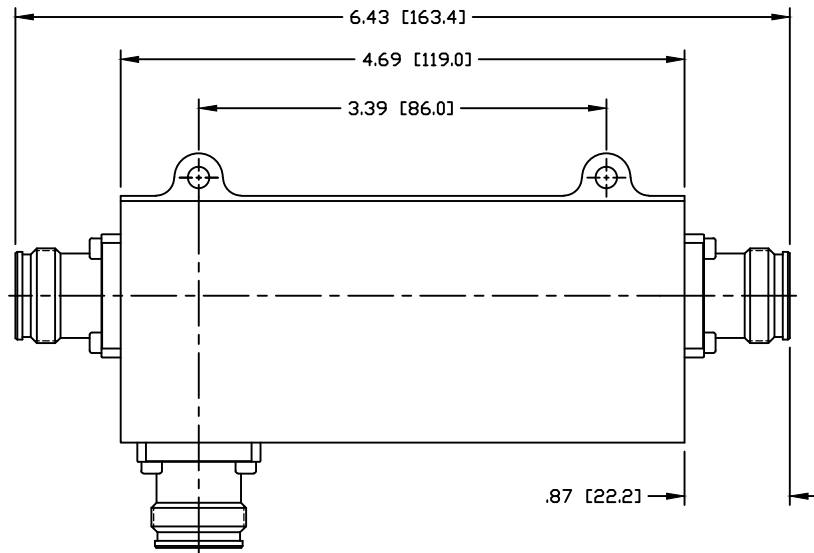


PART NO.

RFDC-8DBC-43F

REV	DESCRIPTION	DWN	DATE	APPROVED
-	ENGINEERING RELEASE	CZS	06/06/16	JDMc

**SPECIFICATIONS:**

IMPEDANCE: 50 Ohms
 OPERATION FREQUENCY BAND: 698-2700 MHz
 3RD INTERMODULATION: ≤ -155 dBc (RELATIVE TO CARRIER)
 3RD INTERMODULATION TEST METHOD: TWO+43dBm CARRIERS
 MAXIMUM AVERAGE POWER: 300 WATT
 INSERTION LOSS AT FREQUENCY BAND: ≤ 1.1 dB@698-2700MHz
 PEAK POWER (W) MAX: 1.3Kw
 COUPLING: -8dB
 COUPLING TOLERANCE: ± 0.8 dB
 ISOLATION AT FREQUENCY BAND: ≥ 28 dB@698-2700MHz
 VSWR: ≤ 1.25
 INNER CONTACT PLATING: SILVER
 OUTER PLATING: WHITE BRONZE
 OPERATION TEMPERATURE: $-30^{\circ}\text{C} \sim +75^{\circ}\text{C}$
 RELATIVE HUMIDITY: UP TO 100%
 APPLICATION: INDOOR/OUTDOOR
 REGULATORY COMPLIANCE/CERTIFICATIONS: RoHS/IP67

CUSTOMER OUTLINE DRAWING ALL DIMENSIONS ARE REFERENCE ONLY		RoHS COMPLIANT		RFconnectors DIVISION OF RF INDUSTRIES, LTD.		7610 MIRAMAR RD. SAN DIEGO, CA 92126 (858) 549-6340 (858) 549-6345 FAX	
UNLESS OTHERWISE SPECIFIED: DIMENSIONS ARE IN INCHES AND [MILLIMETERS]		PROPRIETARY AND CONFIDENTIAL THIS DRAWING CONTAINS INFORMATION PROPRIETARY TO RF INDUSTRIES. ANY UNAUTHORIZED USE OF THIS DRAWING IS EXPRESSLY PROHIBITED WITHOUT WRITTEN PERMISSION FROM RF INDUSTRIES. ANY VIOLATION IS PUNISHABLE UNDER U.S. COPYRIGHT LAWS.		8dB DIRECTIONAL COUPLER 4.3-10 FEMALE - 698-2700 MHz			
DRAWN C. ZUNIGA	06/06/16	SIZE A	CABLE GROUP	DWG NO. RFDC-8DBC-43F	REV —		
ORJ DRAWN C. ZUNIGA	06/06/16	SCALE: NTS	ENGINEERING ID: 000000	SHEET 1 OF 1			