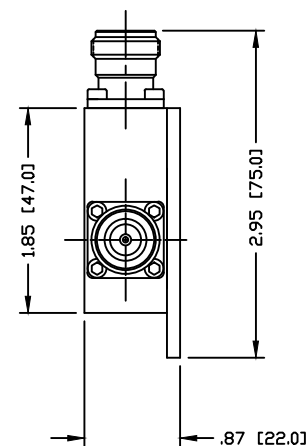
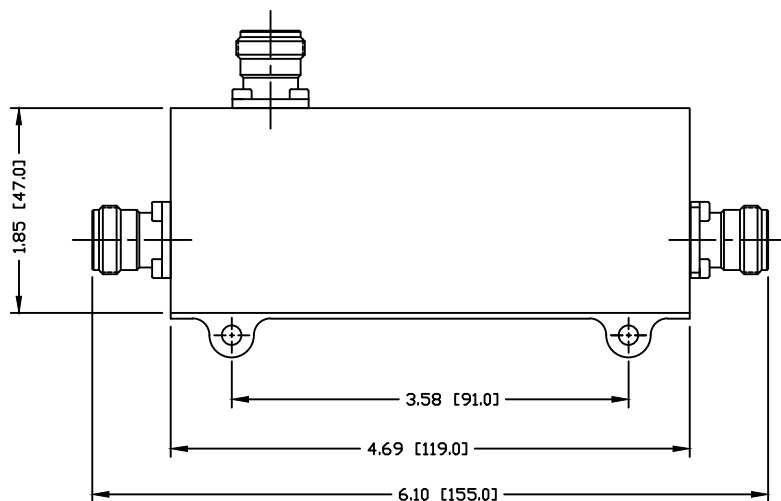


PART NO.

**RFDC-6DBC-NF**

| REV | DESCRIPTION         | DWN | DATE     | APPROVED |
|-----|---------------------|-----|----------|----------|
| -   | ENGINEERING RELEASE | CZS | 03/14/16 | JDMc     |

**SPECIFICATIONS:**

IMPEDANCE: 50 Ohms  
 OPERATION FREQUENCY BAND: 698-2700 MHz  
 3RD INTERMODULATION:  $\leq -155$  dBc (RELATIVE TO CARRIER)  
 3RD INTERMODULATION TEST METHOD: TWO+43dBm CARRIERS  
 AVERAGE POWER: 200 WATT  
 INSERTION LOSS:  $\leq 1.7$ dB@698-2700MHz  
 PEAK POWER: 1 Kw  
 COUPLING: -6dB  
 COUPLING TOLERANCE:  $\pm 0.8$ dB  
 ISOLATION:  $\geq 26$ dB@698-2700MHz  
 VSWR:  $\leq 1.20$   
 INNER CONTACT PLATING: SILVER  
 OUTER PLATING: WHITE BRONZE  
 OPERATION TEMPERATURE:  $-30^{\circ}\text{C} \sim +75^{\circ}\text{C}$   
 RELATIVE HUMIDITY: UP TO 100%  
 APPLICATION: INDOOR/OUTDOOR  
 REGULATORY COMPLIANCE/CERTIFICATIONS: RoHS/IP67

|  |          |   |  |  |                 |   |              |
|--|----------|---|--|--|-----------------|---|--------------|
| CUSTOMER<br>OUTLINE DRAWING  |          | <b>RoHS</b><br>COMPLIANT  |  | <b>RFconnectors</b><br>DIVISION OF RF INDUSTRIES, LTD. |                 | 7610 MIRAMAR RD.<br>SAN DIEGO, CA 92126<br>(858) 549-6340<br>(858) 549-6345 FAX |              |
| ALL DIMENSIONS<br>ARE REFERENCE ONLY   |          |   |  |  |                 | 6 dB DIRECTIONAL COUPLER<br>N FEMALE - 698-2700 MHz                             |              |
| UNLESS OTHERWISE SPECIFIED:<br>DIMENSIONS ARE IN INCHES<br>AND [MILLIMETERS] |          | PROPRIETARY AND CONFIDENTIAL<br>THIS DRAWING CONTAINS<br>INFORMATION PROPRIETARY TO<br>RF INDUSTRIES, ANY<br>UNAUTHORIZED USE OF THIS<br>DRAWING IS EXPRESSLY<br>PROHIBITED WITHOUT WRITTEN<br>PERMISSION FROM RF<br>INDUSTRIES. ANY VIOLATION IS<br>PUNISHABLE UNDER U.S.<br>COPYRIGHT LAWS. |  | SIZE   | CABLE GROUP     | DWG NO.   | REV          |
| DRAWN<br>C. ZUNIGA   | 03/14/16 | A   |  |  |                 | <b>RFDC-6DBC-NF</b>   | —            |
| CHECKED  |          |   |  | SCALE:   | ENGINEERING ID: |   |              |
| ORJ DRAWN<br>C. ZUNIGA   | 03/14/16 | NTS   |  |  | 000000          |   | SHEET 1 OF 1 |