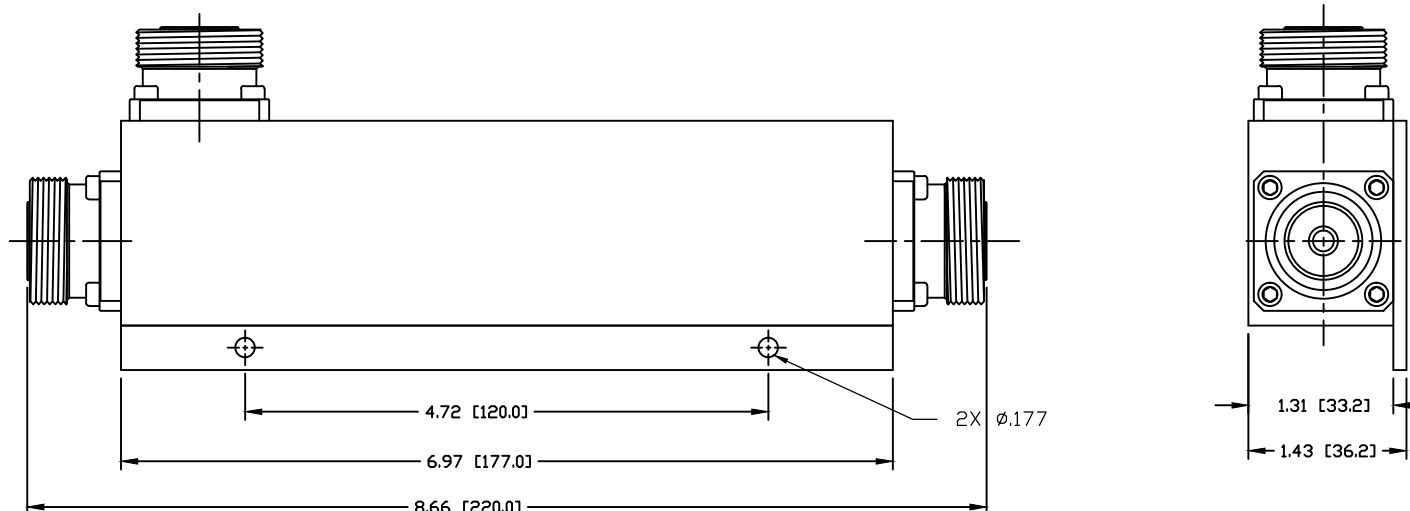


PART NO.

RFDC-6DBA-DF

REV	DESCRIPTION	DWN	DATE	APPROVED
-	ENGINEERING RELEASE	CZS	03/10/16	JDMc

SPECIFICATIONS:

IMPEDANCE: 50 Ohms

OPERATION FREQUENCY BAND: 380-2700 MHz

3RD INTERMODULATION: ≤ -155 dBc (RELATIVE TO CARRIER)

3RD INTERMODULATION TEST METHOD: TWO+43dBm CARRIERS

MAXIMUM AVERAGE POWER: 500 WATT

INSERTION LOSS: ≤ 1.7 dB@380-2700MHz

PEAK POWER: 1.5kw

COUPLING: -6dB

COUPLING TOLERANCE: ± 1.2 dBDIRECTIVITY: ≥ 20 dBISOLATION: ≥ 26 dB@380-2700MHzVSWR: ≤ 1.25

INNER CONTACT PLATING: SILVER

OUTER PLATING: WHITE BRONZE

OPERATION TEMPERATURE: $-30^{\circ}\text{C} \sim +75^{\circ}\text{C}$

RELATIVE HUMIDITY: UP TO 100%

APPLICATION: INDOOR/OUTDOOR

REGULATORY COMPLIANCE/CERTIFICATIONS: RoHS/IP67

CUSTOMER
OUTLINE DRAWINGALL DIMENSIONS
ARE REFERENCE ONLYUNLESS OTHERWISE SPECIFIED:
DIMENSIONS ARE IN INCHES
AND [MILLIMETERS]DRAWN
C. ZUNIGA 03/10/16

CHECKED

ORJ DRAWN
C. ZUNIGA 03/10/16**RoHS
COMPLIANT**PROPRIETARY AND CONFIDENTIAL
THIS DRAWING CONTAINS
INFORMATION PROPRIETARY TO
RF INDUSTRIES. ANY
UNAUTHORIZED USE OF THIS
DRAWING IS EXPRESSLY
PROHIBITED WITHOUT WRITTEN
PERMISSION FROM RF
INDUSTRIES. ANY VIOLATION IS
PUNISHABLE UNDER U.S.
COPYRIGHT LAWS.**RFconnectors**7610 MIRAMAR RD.
SAN DIEGO, CA 92126
(858) 549-6340
DIVISION OF RF INDUSTRIES, LTD. (858) 549-6345 FAX**6 dB DIRECTIONAL COUPLER
7/16 DIN FEMALE - 380-2700 MHz**

SIZE	CABLE GROUP	DWG NO.	REV
A		RFDC-6DBA-DF	—
SCALE: NTS	ENGINEERING ID: 000000	SHEET 1 OF 1	