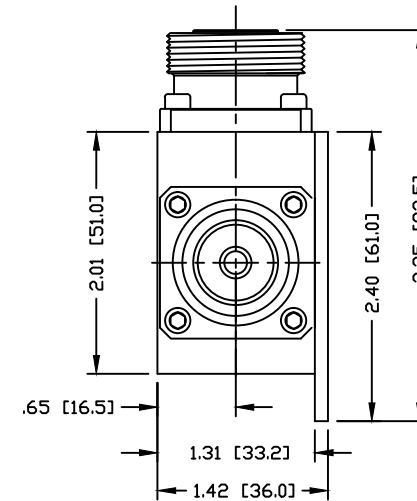
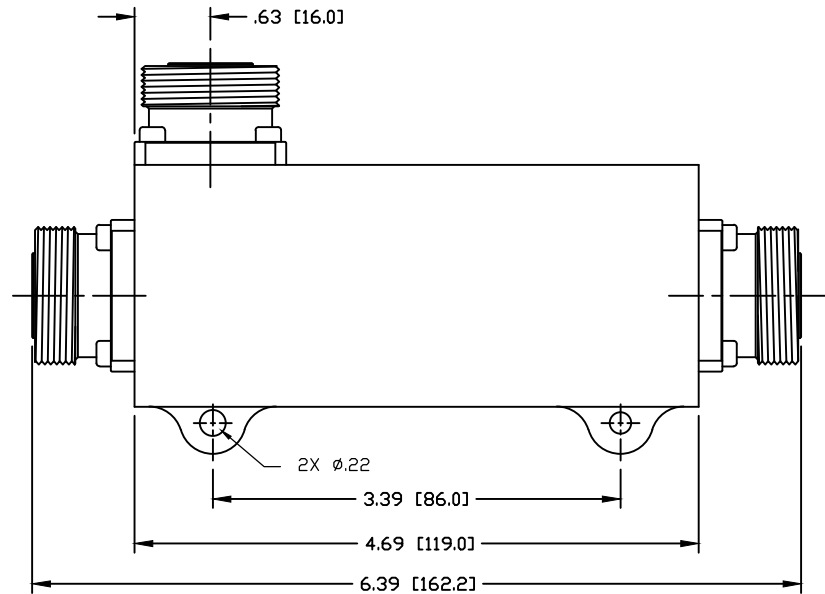


PART NO.

**RFDC-4.8DBC-DF**

REV	DESCRIPTION	DWN	DATE	APPROVED
-	ENGINEERING RELEASE	CZS	03/18/16	JDMc

SPECIFICATIONS:

IMPEDANCE: 50 Ohms  
 OPERATION FREQUENCY BAND: 698-2700 MHz  
 3RD INTERMODULATION:  $\leq -155$  dBc (RELATIVE TO CARRIER)  
 3RD INTERMODULATION TEST METHOD: TWO+43dBm CARRIERS  
 MAXIMUM AVERAGE POWER: 200 WATT  
 INSERTION LOSS AT FREQUENCY BAND:  $\leq 2.0$  dB@698-2700MHz  
 PEAK POWER (W) MAX: 1Kw  
 COUPLING: -4.8dB  
 COUPLING TOLERANCE:  $\pm 0.8$  dB  
 DIRECTIVITY:  $\geq 20$  dB  
 ISOLATION AT FREQUENCY BAND:  $\geq 25$  dB@698-2700MHz  
 VSWR:  $\leq 1.20$   
 INNER CONTACT PLATING: SILVER  
 OUTER PLATING: WHITE BRONZE  
 OPERATION TEMPERATURE:  $-30^{\circ}\text{C} \sim +75^{\circ}\text{C}$   
 RELATIVE HUMIDITY: UP TO 100%  
 APPLICATION: INDOOR/OUTDOOR  
 REGULATORY COMPLIANCE/CERTIFICATIONS: RoHS/IP67

CUSTOMER  
OUTLINE DRAWINGALL DIMENSIONS  
ARE REFERENCE ONLYUNLESS OTHERWISE SPECIFIED:  
DIMENSIONS ARE IN INCHES  
AND [MILLIMETERS]

DRAWN	C. ZUNIGA	03/18/16
CHECKED		
ORJ DRAWN	C. ZUNIGA	03/18/16

**RoHS  
COMPLIANT**

PROPRIETARY AND CONFIDENTIAL  
 THIS DRAWING CONTAINS  
 INFORMATION PROPRIETARY TO  
 RF INDUSTRIES. ANY  
 UNAUTHORIZED USE OF THIS  
 DRAWING IS EXPRESSLY  
 PROHIBITED WITHOUT WRITTEN  
 PERMISSION FROM RF  
 INDUSTRIES. ANY VIOLATION IS  
 PUNISHABLE UNDER U.S.  
 COPYRIGHT LAWS.

**RFconnectors**

7610 MIRAMAR RD.  
 SAN DIEGO, CA 92126  
 (858) 549-6340  
 (858) 549-6345 FAX

**4.8 DB DIRECTIONAL COUPLER**  
**7/16 DIN FEMALE - 698-2700 MHz**

SIZE	CABLE GROUP	DWG NO.	REV
A		<b>RFDC-48DBC-DF</b>	—
SCALE:	ENGINEERING ID:	SHEET 1 OF 1	
NTS	000000		