

4.8dB Directional Coupler 4.3-10 Female, 380-2700MHz

RFDC-4.8DBA-43F

Low PIM

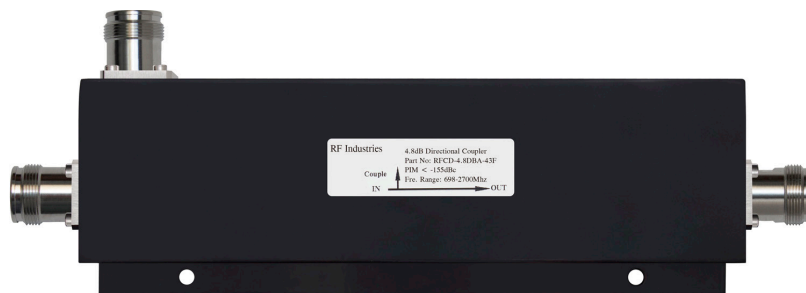
Low VSWR

Other Configurations Available

50 Ohms Impedance

RoHS Compliant

IP 67 Rated



GENERAL SPECIFICATIONS

Device Type	Directional Coupler
Interface	4.3-10 Female
Color	Black
Dimensions.....	8.39" L x 2.95" W x 0.87" H
Bracket Included.....	Yes

ELECTRICAL SPECIFICATIONS

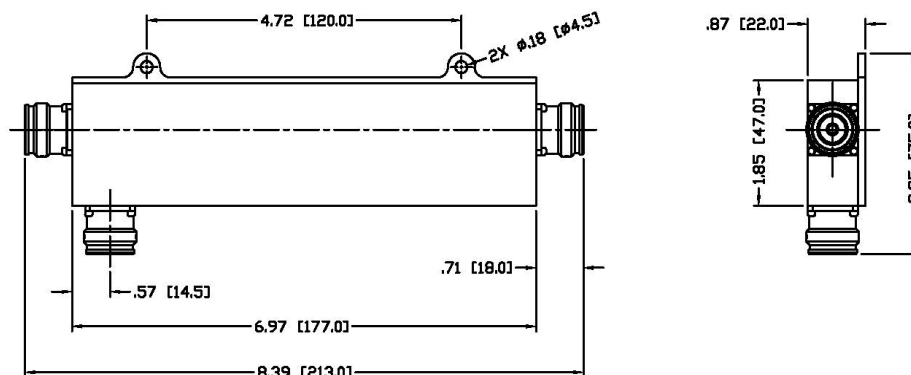
Operation Frequency Band.....	380-2700 MHz
3rd Intermodulation	≤ -155 dBc (relative to carrier)
3rd Intermodulation Test Method.....	Two +43 dBm carriers
Average Power	400 Watt
Impedance.....	50 Ω
Coupling	4.8 dB
Coupling Tolerance	± 1.2 dB
Insertion Loss	≤ 2.15dB@380-2700 MHz
Isolation	≥ 25dB@380-2700 MHz
Directivity.....	≥ 20dB
Peak Power	1.3 Kw
VSWR.....	≤ 1.25

MECHANICAL SPECIFICATIONS

Inner Contact Plating.....	Silver
Outer Plating.....	White Bronze (Tri-Metal)

ENVIRONMENTAL SPECIFICATIONS

Application	Indoor/Outdoor
Operating Temperature.....	-20°C ~ +55°C; -4°F ~ +131°F
Relative Humidity	Up to 100%
Regulatory Compliance / Certifications.....	RoHS / IP67



RF Industries

(NASDAQ: RFIIL)

7610 Miramar Road
San Diego, CA 92126

(800) 233-1728

(858) 549-6340

Fax: (858) 549-6345

rfi@rfindustries.com

www.rfindustries.com