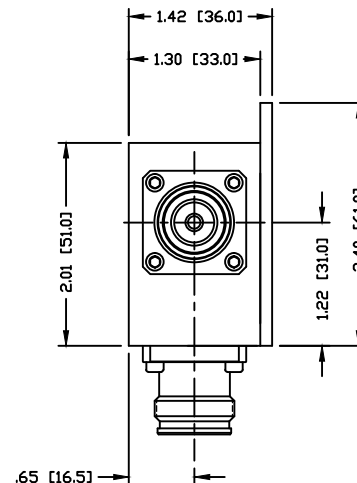
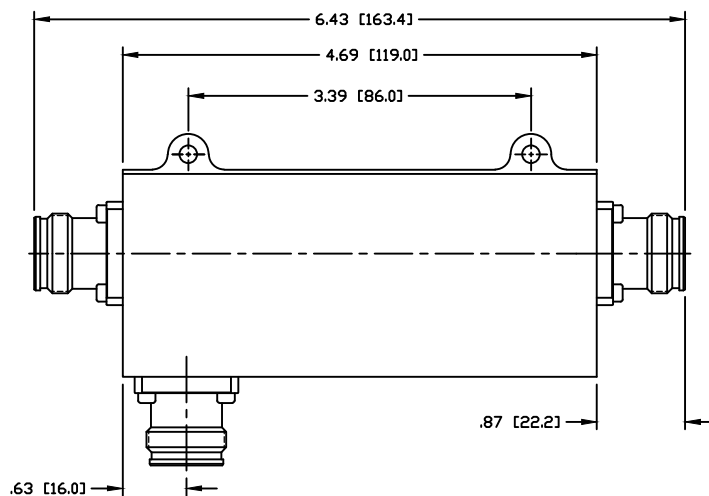


PART NO.

**RFDC-15DBC-43F**

REV	DESCRIPTION	DWN	DATE	APPROVED
-	ENGINEERING RELEASE	CZS	06/16/16	JDMc

SPECIFICATIONS:

IMPEDANCE: 50 Ohms  
 OPERATION FREQUENCY BAND: 698–2700 MHz  
 3RD INTERMODULATION:  $\leq -155$  dBc (RELATIVE TO CARRIER)  
 3RD INTERMODULATION TEST METHOD: TWO+43dBm CARRIERS  
 MAXIMUM AVERAGE POWER: 300 WATT  
 INSERTION LOSS AT FREQUENCY BAND:  $\leq 0.4$  dB@698–2700MHz  
 PEAK POWER (W) MAX: 1.3Kw  
 COUPLING: -15dB  
 COUPLING TOLERANCE:  $\pm 0.1$  dB  
 ISOLATION AT FREQUENCY BAND:  $\geq 35$  dB@698–2700MHz  
 VSWR:  $\leq 1.25$   
 INNER CONTACT PLATING: SILVER  
 OUTER PLATING: WHITE BRONZE  
 OPERATION TEMPERATURE:  $-30^{\circ}\text{C} \sim +55^{\circ}\text{C}$   
 RELATIVE HUMIDITY: UP TO 95%  
 APPLICATION: INDOOR/OUTDOOR  
 REGULATORY COMPLIANCE/CERTIFICATIONS: RoHS/IP67

CUSTOMER OUTLINE DRAWING <hr/> ALL DIMENSIONS ARE REFERENCE ONLY		<b>RoHS</b> <b>COMPLIANT</b>		<b>RFconnectors</b> <small>DIVISION OF RF INDUSTRIES, LTD.</small>		<small>7610 MIRAMAR RD.            SAN DIEGO, CA 92126            (858) 549-6340            (858) 549-6345 FAX</small>	
UNLESS OTHERWISE SPECIFIED: DIMENSIONS ARE IN INCHES AND [MILLIMETERS]		PROPRIETARY AND CONFIDENTIAL THIS DRAWING CONTAINS INFORMATION PROPRIETARY TO RF INDUSTRIES, ANY UNAUTHORIZED USE OF THIS DRAWING IS EXPRESSLY PROHIBITED WITHOUT WRITTEN PERMISSION FROM RF INDUSTRIES. ANY VIOLATION IS PUNISHABLE UNDER U.S. COPYRIGHT LAWS.		<b>15dB DIRECTIONAL COUPLER</b> <b>4.3-10 FEMALE - 698-2700 MHz</b>			
DRAWN C. ZUNIGA	06/16/16	SIZE A	CABLE GROUP	DWG NO. <b>RFDC-15DBC-43F</b>	REV —		
ORJ DRAWN C. ZUNIGA	06/16/16	SCALE: NTS	ENGINEERING ID: 000000	SHEET 1 OF 1			