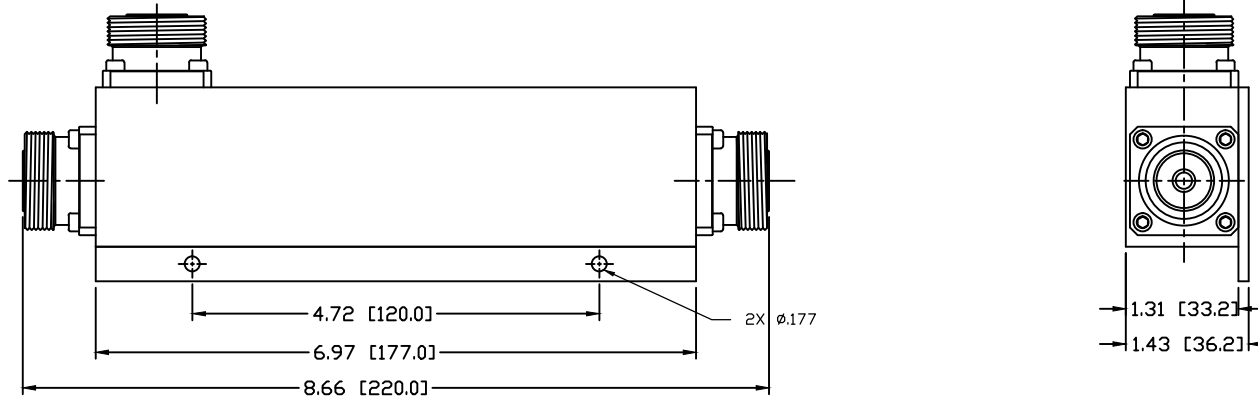


PART NO.

RFDC-13DBA-DF

| REV | DESCRIPTION | DWN | DATE | APPROVED |
|-----|---------------------|-----|----------|----------|
| - | ENGINEERING RELEASE | CZS | 04/07/16 | JDMc |

SPECIFICATIONS:

IMPEDANCE: 50 Ohms
 OPERATION FREQUENCY BAND: 380-2700 MHz
 3RD INTERMODULATION: ≤ -155 dBc (RELATIVE TO CARRIER)
 3RD INTERMODULATION TEST METHOD: TWO+43dBm CARRIERS
 MAXIMUM AVERAGE POWER: 500 WATT
 INSERTION LOSS: ≤ 0.5 dB@380-2700MHz
 PEAK POWER: 1.5Kw
 COUPLING: -13dB
 COUPLING TOLERANCE: ± 1.2 dB
 DIRECTIVITY: ≥ 20 dB
 ISOLATION: ≥ 33 dB@380-2700MHz
 VSWR: ≤ 1.25
 INNER CONTACT PLATING: SILVER
 OUTER PLATING: WHITE BRONZE
 OPERATION TEMPERATURE: $-30^{\circ}\text{C} \sim +75^{\circ}\text{C}$
 RELATIVE HUMIDITY: UP TO 100%
 APPLICATION: INDOOR/OUTDOOR
 REGULATORY COMPLIANCE/CERTIFICATIONS: RoHS/IP67

| | | | | | | | |
|------------------------------------------------------------------------------|----------|-----------------------------------------------------------------------------------------------------------------------------------------------------------------------------------------------------------------------------------------------------------------------------------------------|---------------------------|---------------------------------------------------------------------------|----------|------------------------------------------------------------------------------------------------------------------------------------|--|
| CUSTOMER OUTLINE DRAWING <hr/> ALL DIMENSIONS ARE REFERENCE ONLY | | RoHS COMPLIANT | | RFconnectors <small>DIVISION OF RF INDUSTRIES, LTD.</small> | | <small>7610 MIRAMAR RD. SAN DIEGO, CA 92126 (858) 549-6340 (858) 549-6345 FAX</small> | |
| UNLESS OTHERWISE SPECIFIED: DIMENSIONS ARE IN INCHES AND [MILLIMETERS] | | PROPRIETARY AND CONFIDENTIAL THIS DRAWING CONTAINS INFORMATION PROPRIETARY TO RF INDUSTRIES. ANY UNAUTHORIZED USE OF THIS DRAWING IS EXPRESSLY PROHIBITED WITHOUT WRITTEN PERMISSION FROM RF INDUSTRIES. ANY VIOLATION IS PUNISHABLE UNDER U.S. COPYRIGHT LAWS. | | 13 dB DIRECTIONAL COUPLER 7/16 DIN FEMALE - 380-2700 MHz | | | |
| DRAWN C. ZUNIGA | 04/07/16 | SIZE A | CABLE GROUP | DWG NO. RFDC-13DBA-DF | REV — | | |
| ORJ DRAWN C. ZUNIGA | 04/07/16 | SCALE: NTS | ENGINEERING ID: 000000 | SHEET 1 OF 1 | | | |